

# TV Wall Mount


## Safety & Assembly Instructions

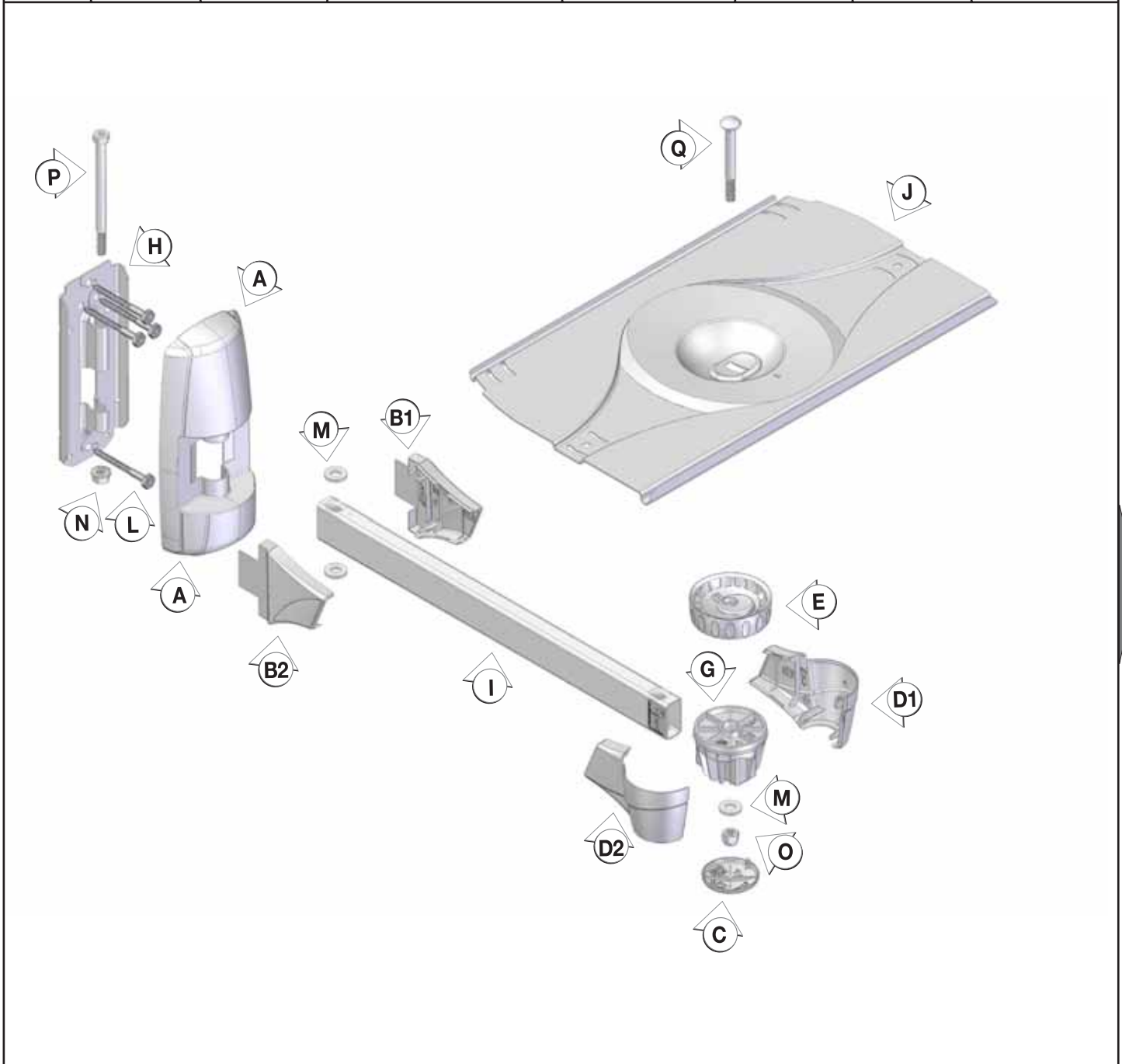
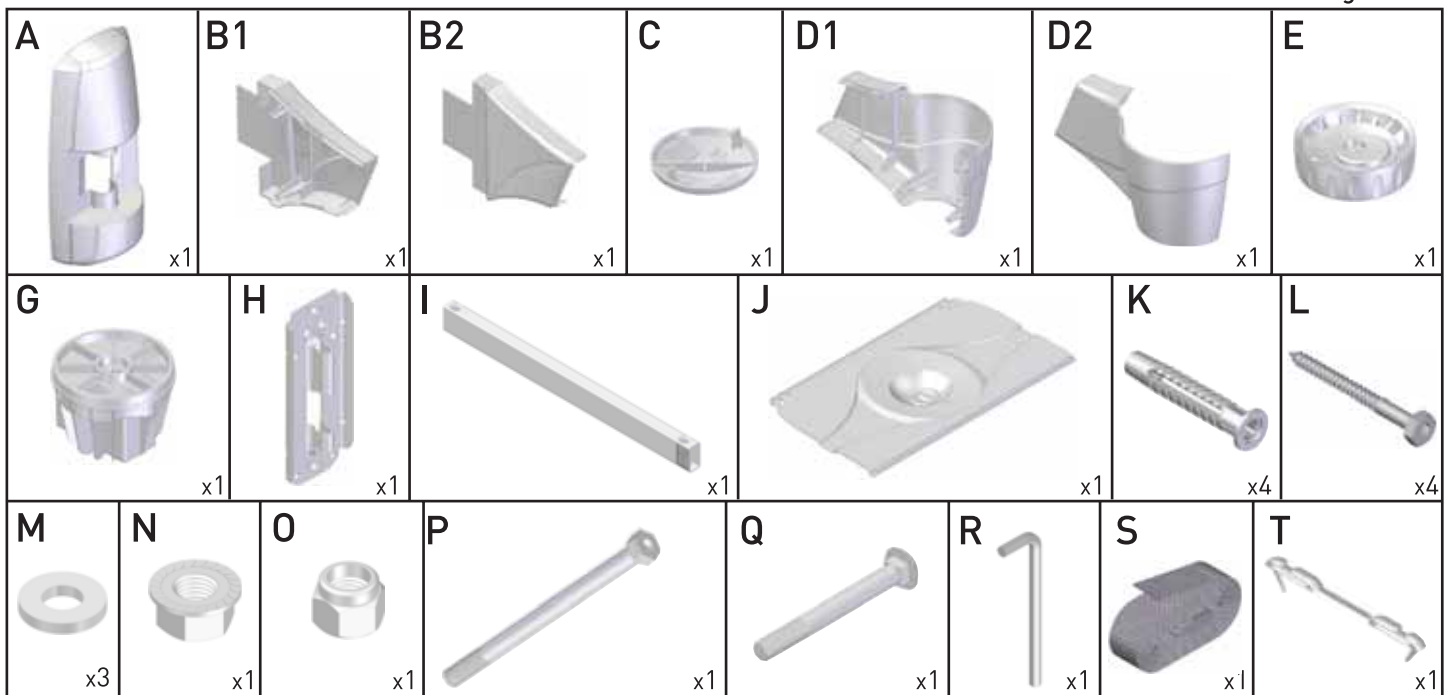


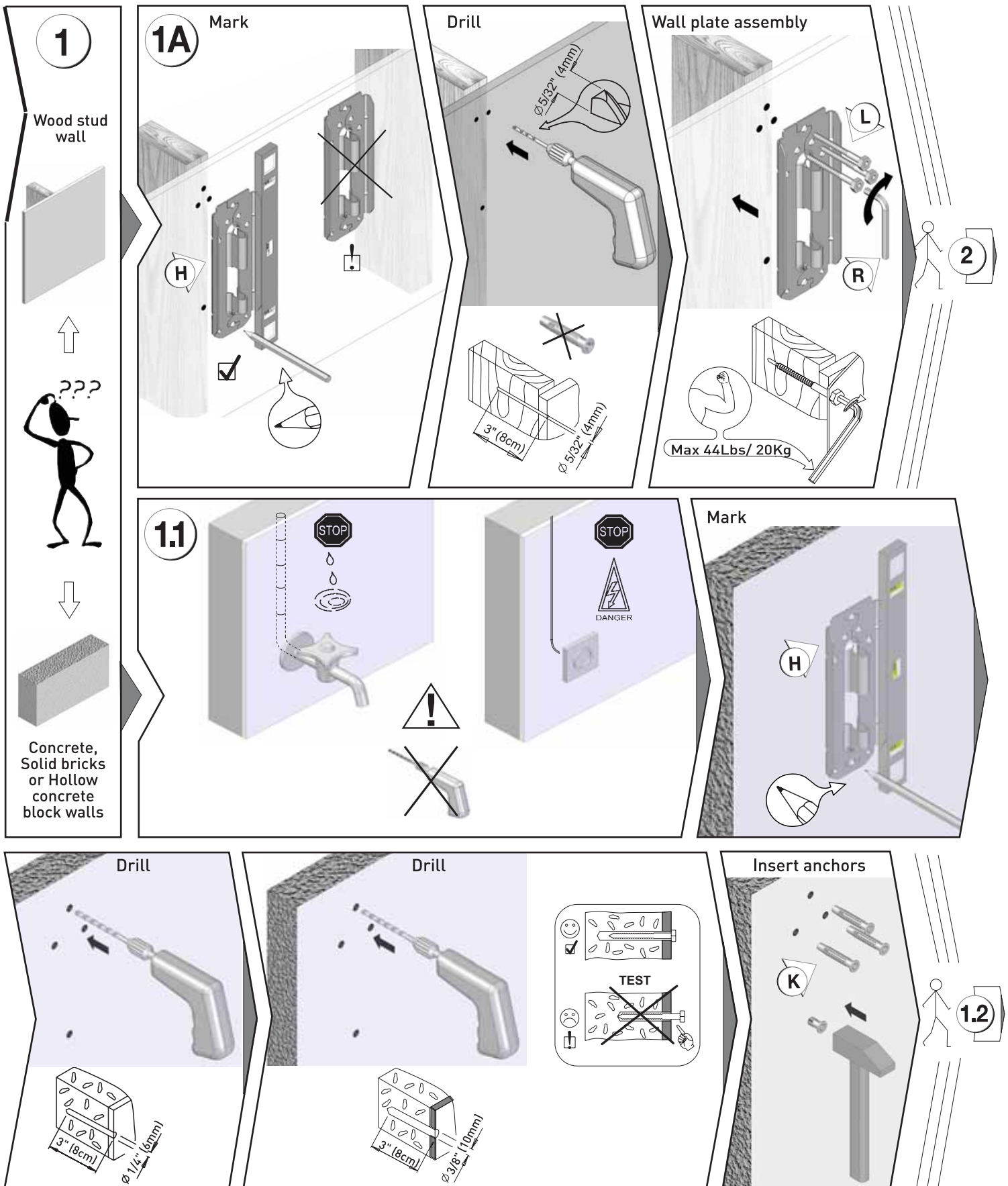
TV Models	VCR/DVD
<div style="display: flex; gap: 10px;"> <span>(123)</span> <span>(124)</span> <span>(125)</span> </div>	<div style="display: flex; align-items: center; justify-content: center;"> <span style="border: 1px solid black; border-radius: 50%; padding: 5px;">82</span> </div> <p style="text-align: center; margin: 0;">Model</p>

Model 82 (not provided) is an accessory that can be used only with BARKAN MOUNTS TV mounts models.

For further information, visit us at:  
[www.barkanmounts.com](http://www.barkanmounts.com)

model			max TV
	US	EU	
(123)	50lbs	30kg	17"/43cm
(124)	70lbs	42kg	21"/55cm
(125)	95lbs	50kg	27"/68cm





**1.2 Wall plate assembly**

Max 44Lbs/ 20Kg

Min 2  
Max 9

2

**2 Arm assembly**

Max 53Lbs/ 23Kg

2

**TEST**

model	US	EU
(123)	50lbs	30kg
(124)	70lbs	42kg
(125)	95lbs	50kg

MAX

**Cover assembly**

A

I G

!

**TV platform assembly**

Q J E G

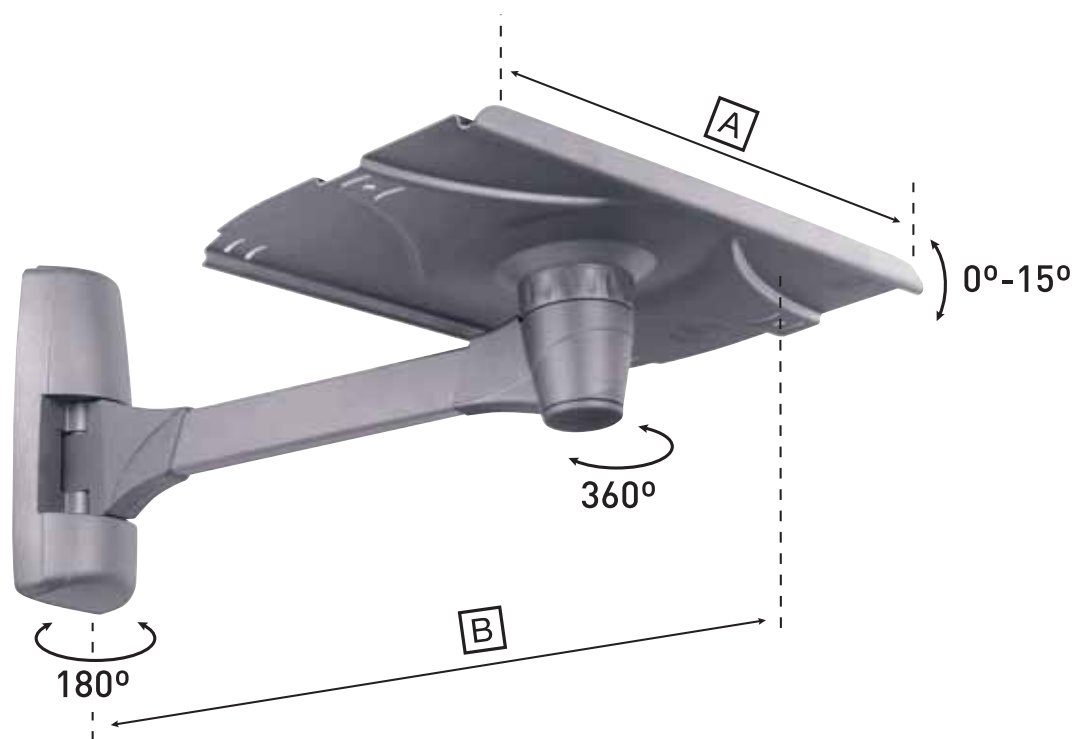
M O

9/16" (14mm)

3







models	max TV	A	B
123	17"/43 cm	12"/30 cm	19"/48.5 cm
124	21"/55 cm	18"/45 cm	21.5"/55 cm
125	27"/68 cm	20"/50 cm	23"/58 cm