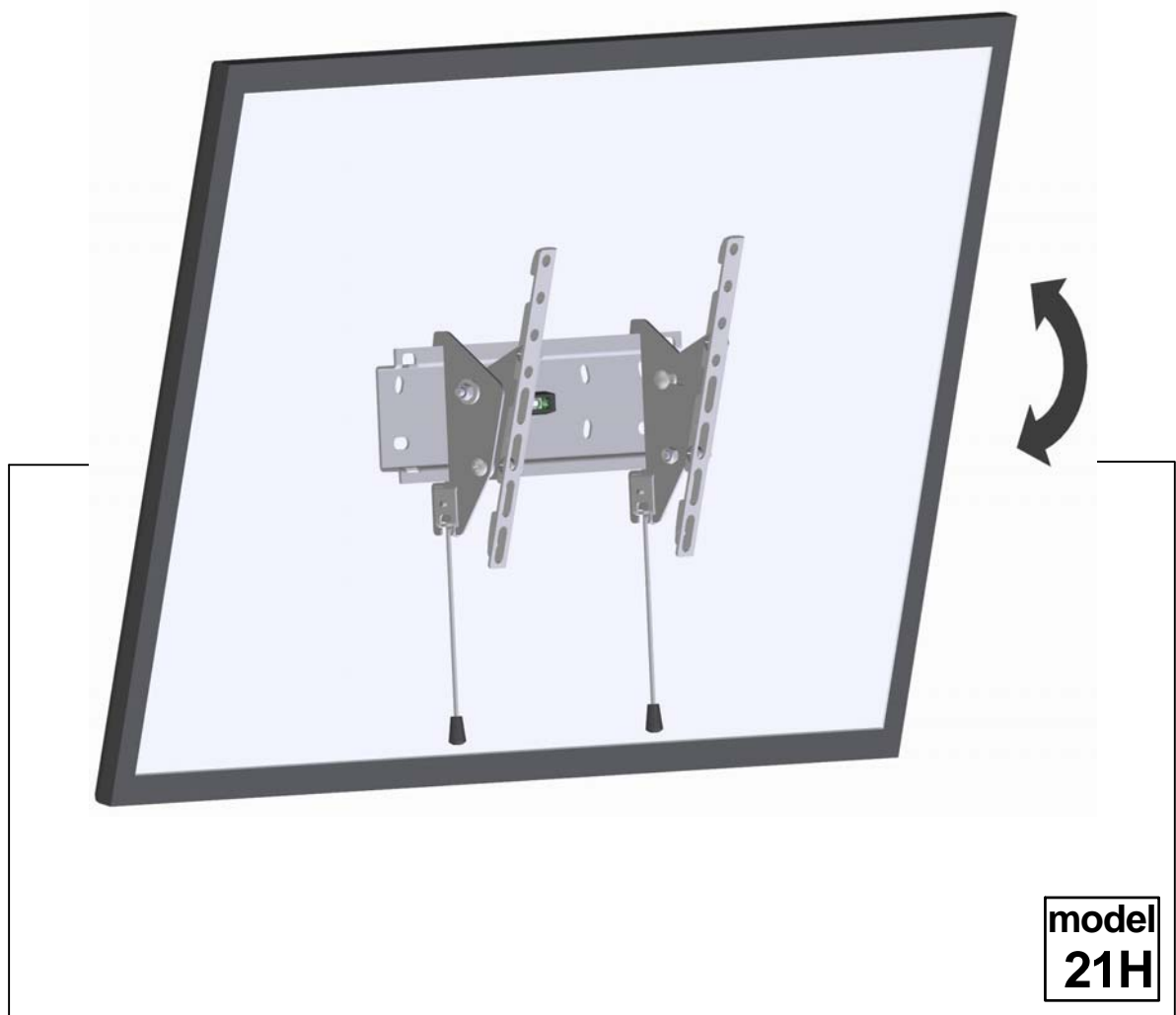


Tilt LED/LCD Wall Mount

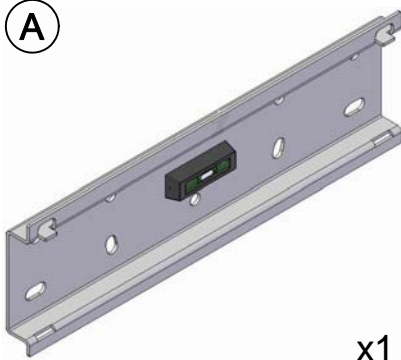


Fits up to 37" / 94 cm LED / LCD / Plasma	 Max	
	US 88 lbs	EU 40 kg

CAUTION - This Mount is intended for use only with the maximum weight as indicated. Using heavier products, might cause injury.

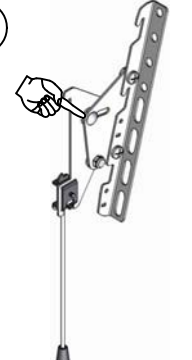


(A)



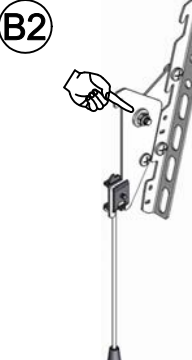
x1

(B1)




x1

(B2)




x1

(C)




x3

(D)



x3

(E)




x7

(G)

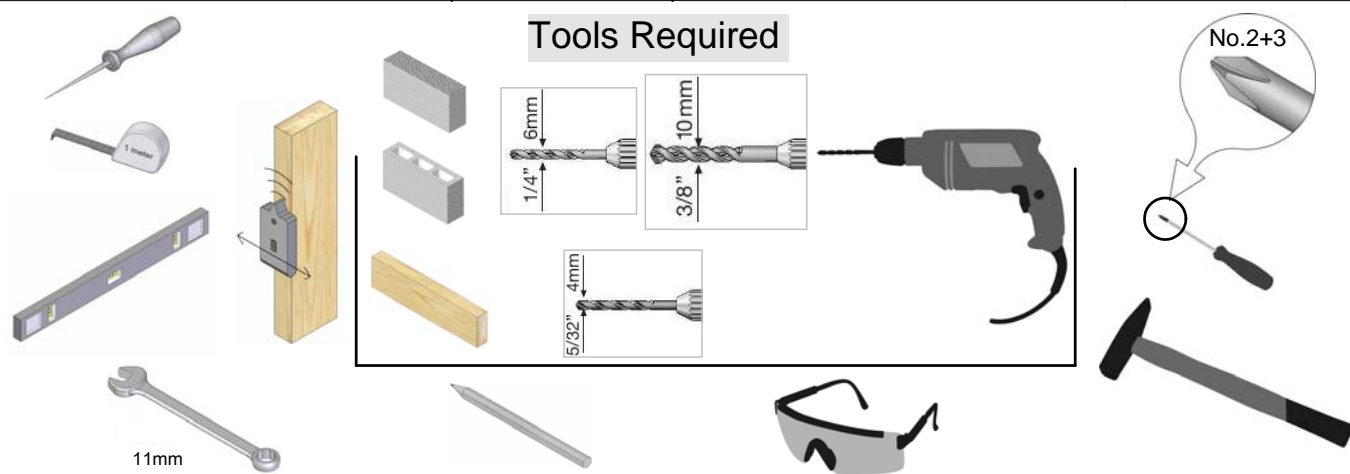
#	D	L	=
(G)	M4	20	x4
(H)	M6	20	x4
(I)	M8	20	x4

(J)



x4


Tools Required



11mm

No.2+3

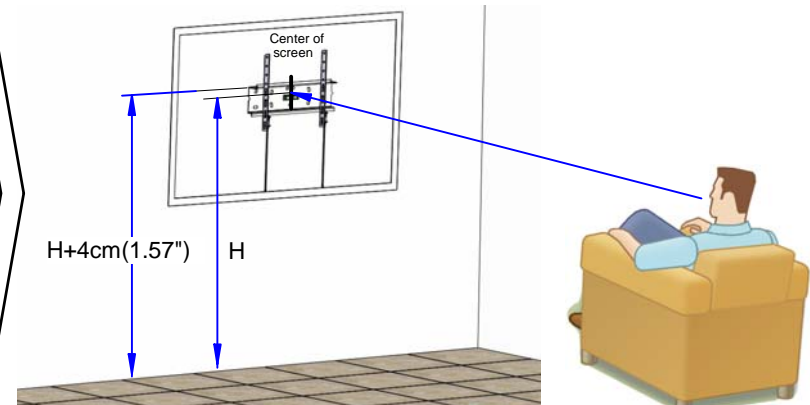
1



BACK OF SCREEN

Max 200mm/ 7.87"


Max 200mm/7.87"




Center of screen

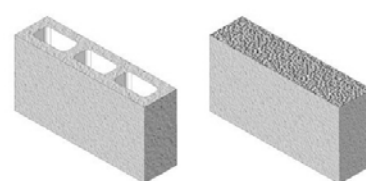
H+4cm(1.57")

H

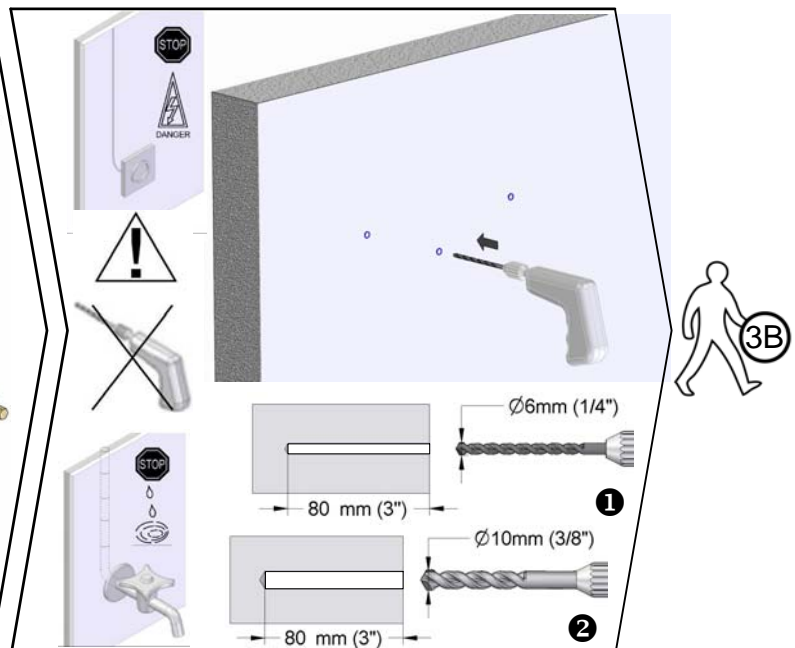
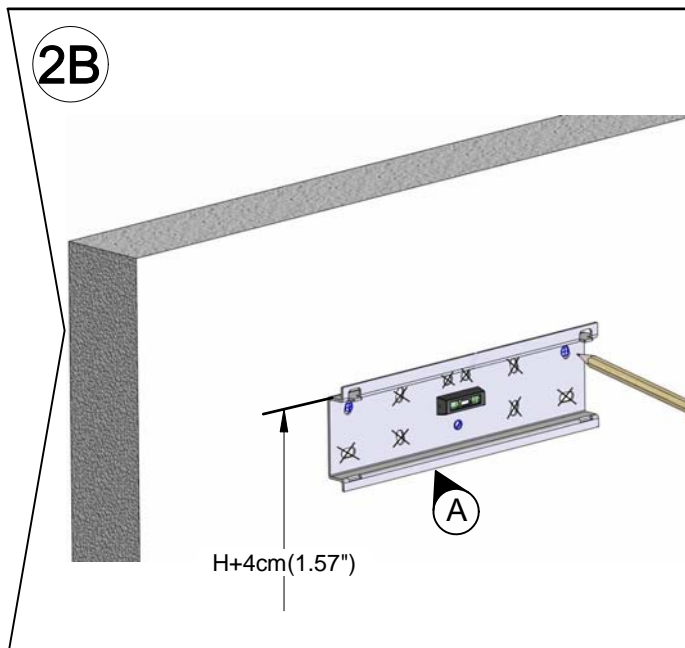
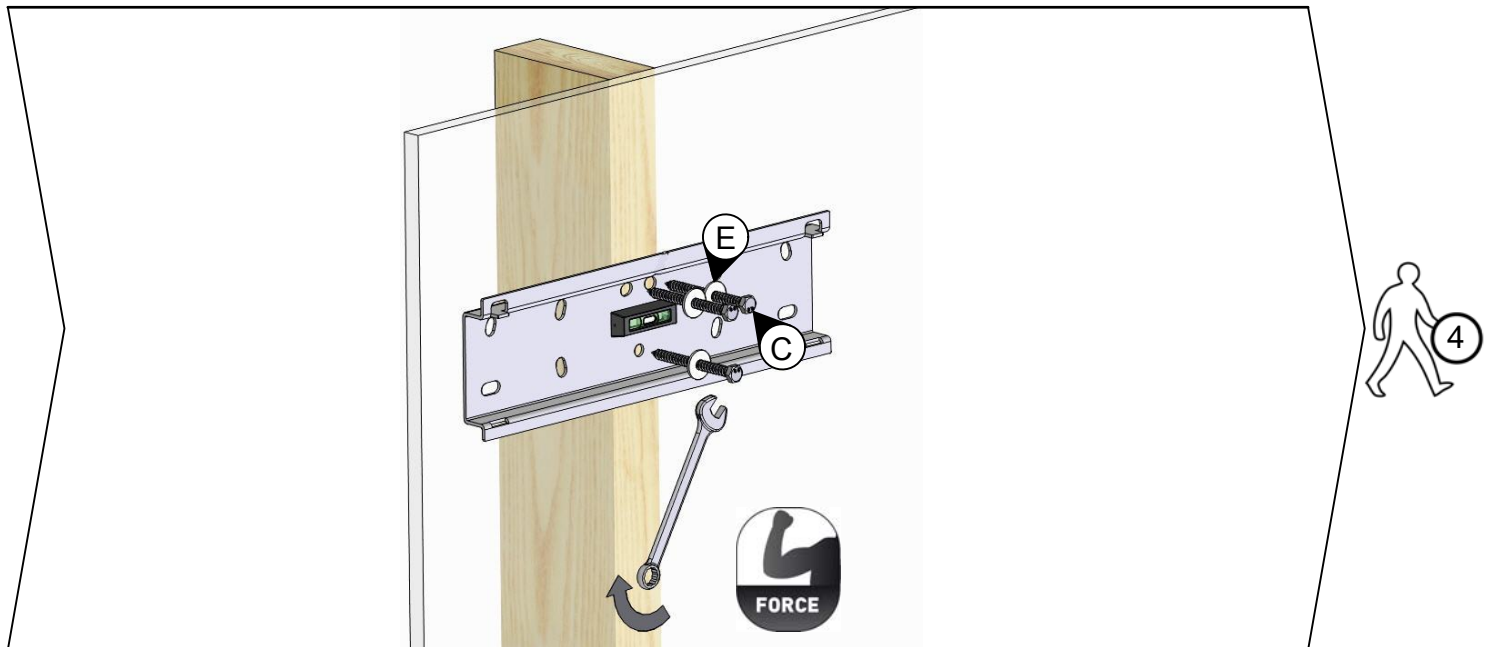
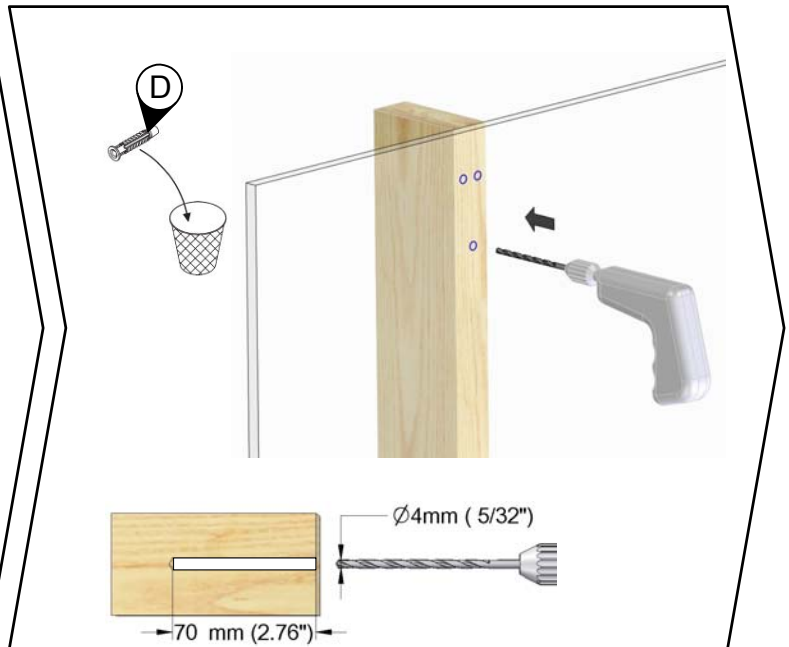
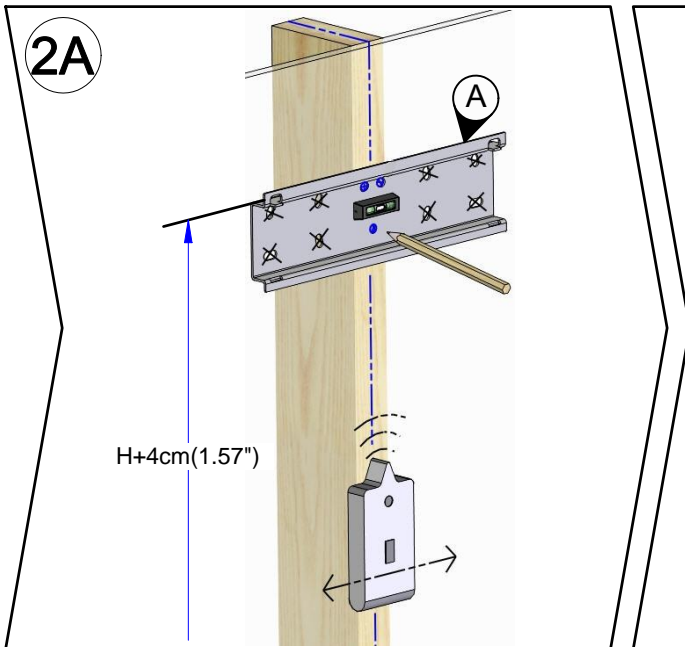




(2A)



(2B)



3B

The anchor must be sunk up to 10 mm (3/8") into the plaster coating

10
3/8"

Plaster Coating

C

E

1

2

FORCE

1

2

x Min 2

4

4 Test!

40kg / 88lbs

G,H

E

J

I

TV

B1

B2

5

G,H

E

J

I

TV

B1

B2

5

