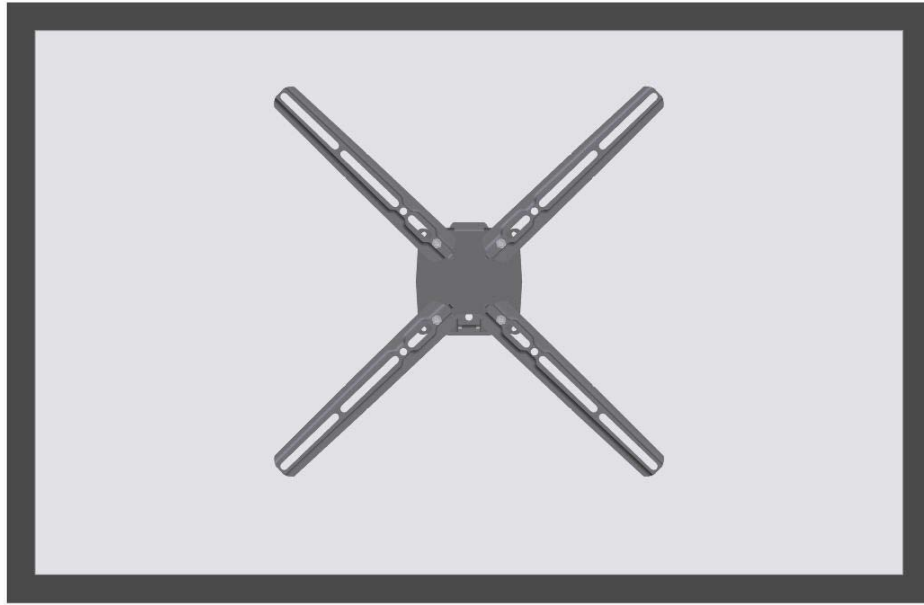



# Fixed LED/LCD/Plasma Wall Mount

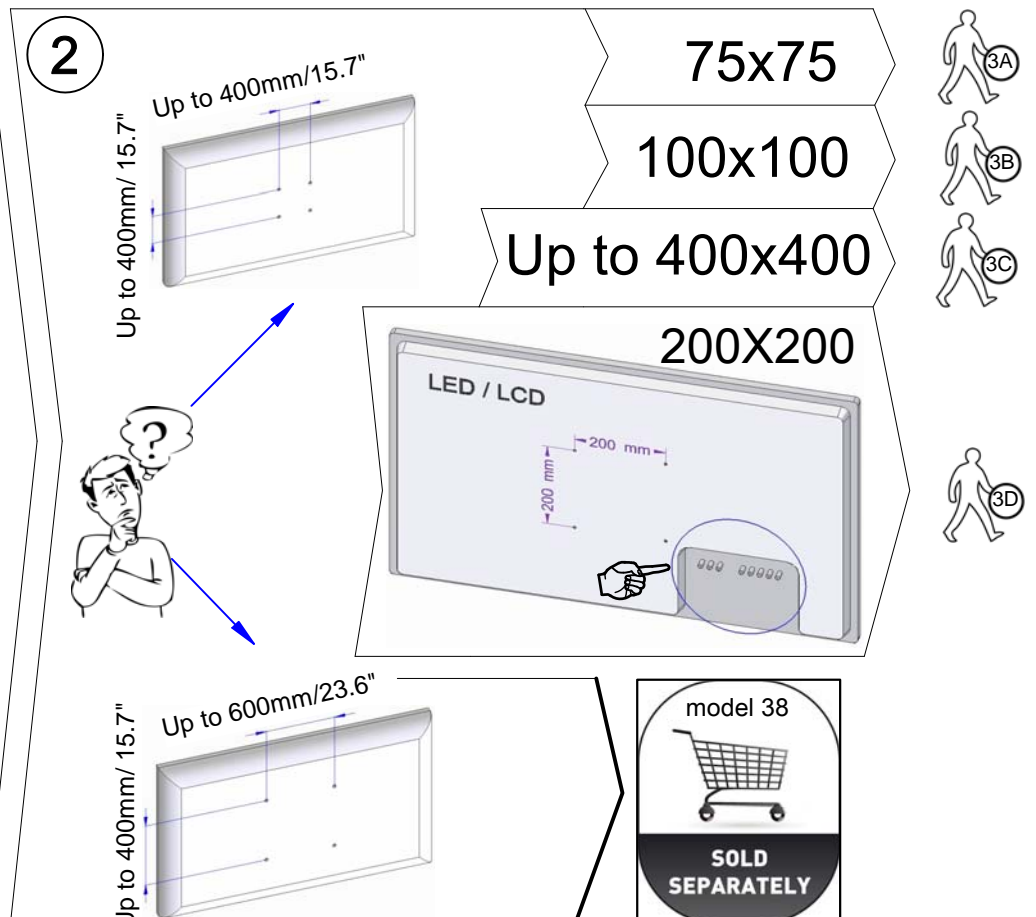
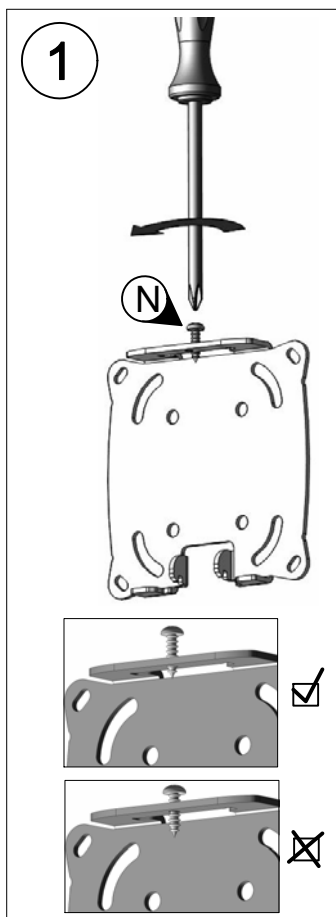
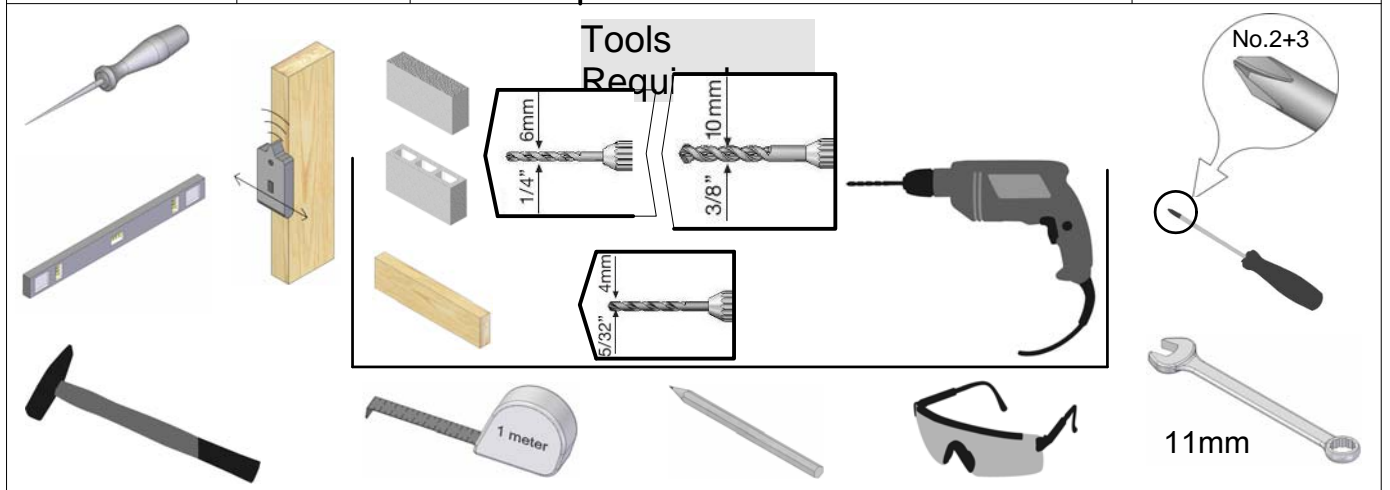
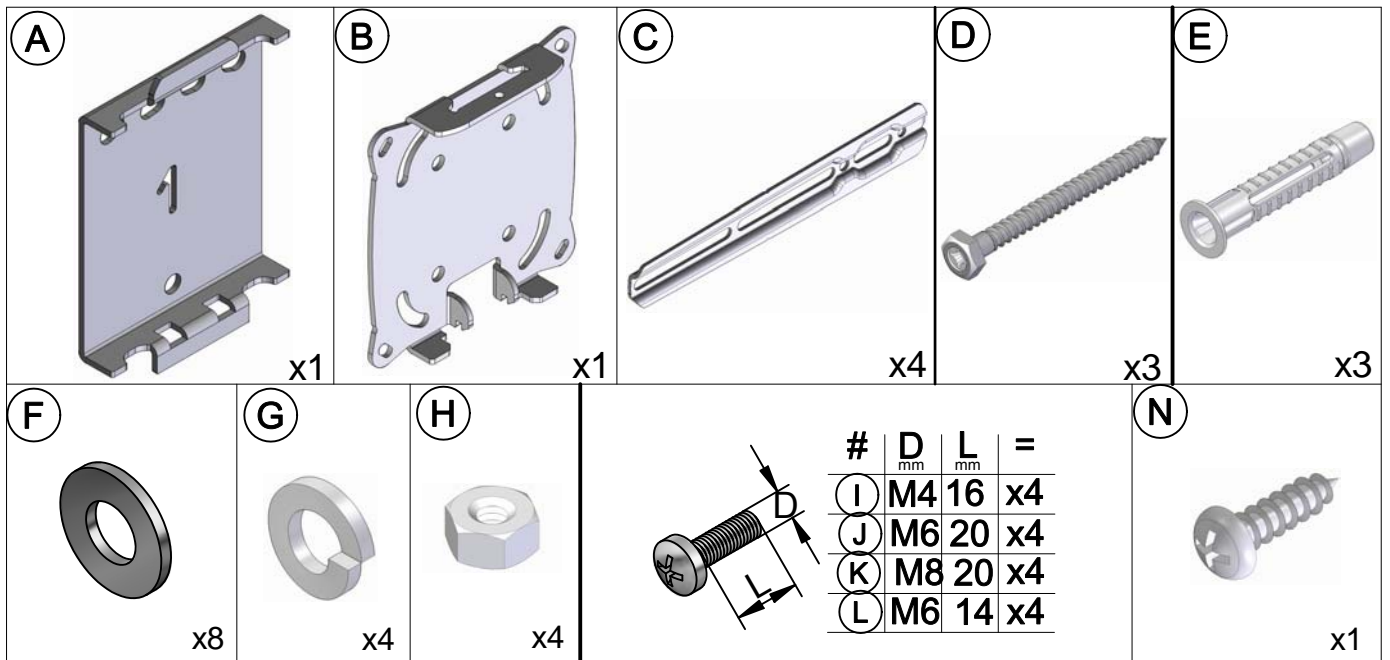


model  
**30**

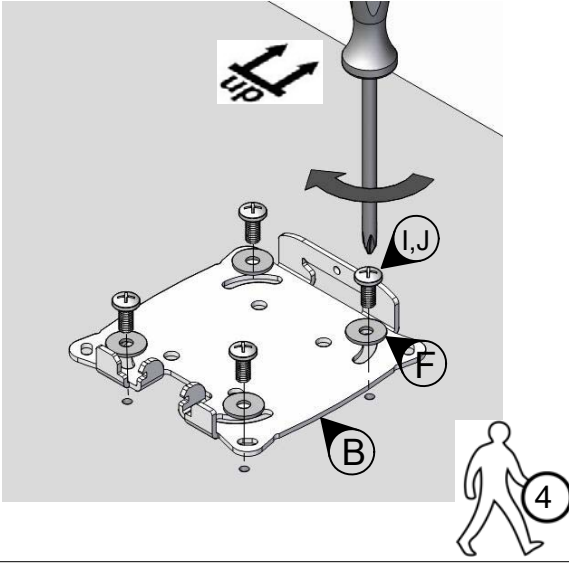
|   |        |  |       |
|---|--------|--|-------|
| Fits up to<br><b>56" / 142 cm</b><br>LED / LCD / Plasma | US     | <br>Max | EU    |
|   | 66 lbs |  | 30 kg |

**CAUTION** - This Mount is intended for use only with the maximum weight as indicated. Using heavier products, might cause injury.

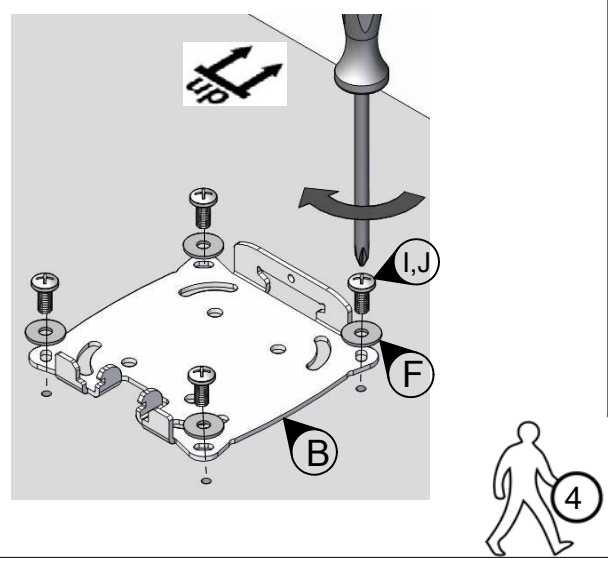




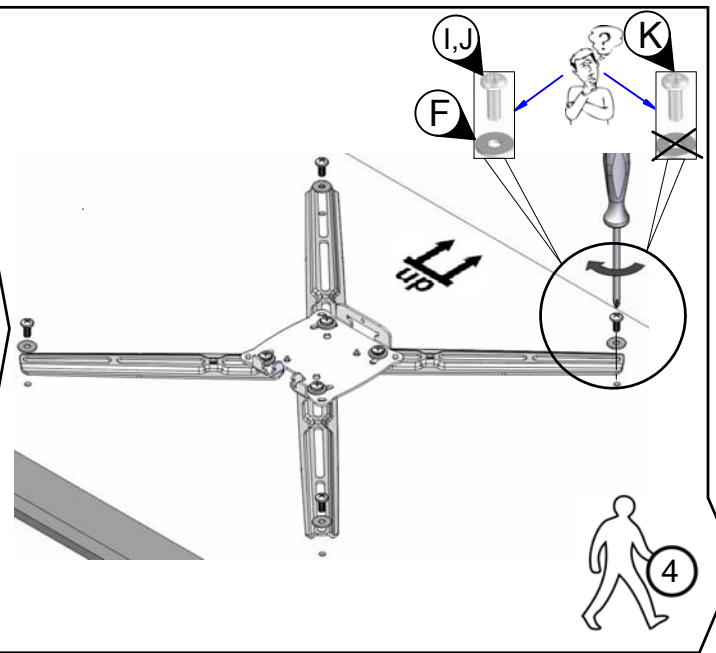
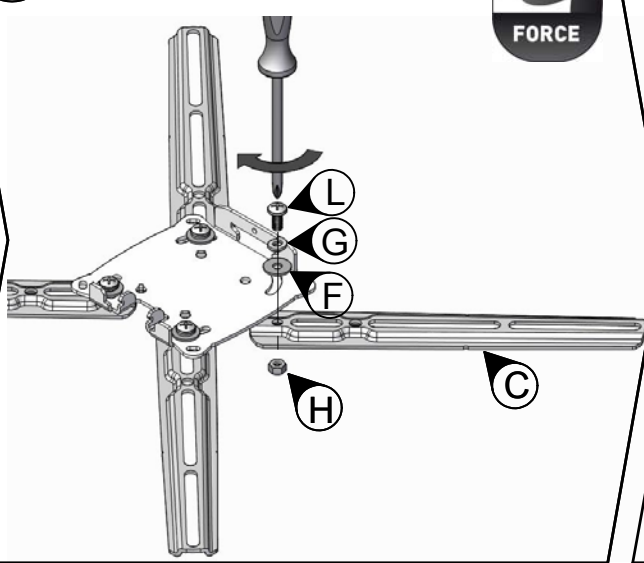
3A VESA 75x75



3B VESA 100x100



3C Up to 400x400



3D 200X200

