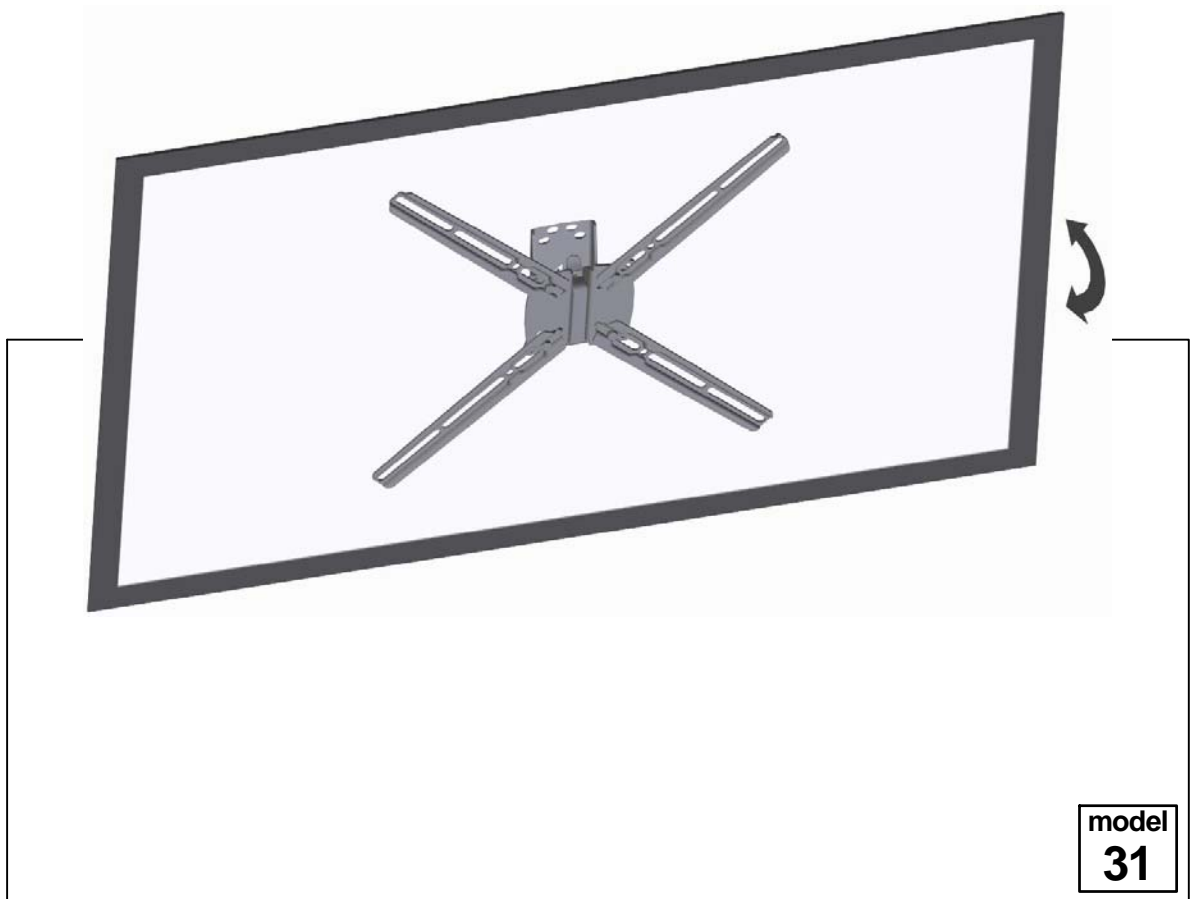



Tilt

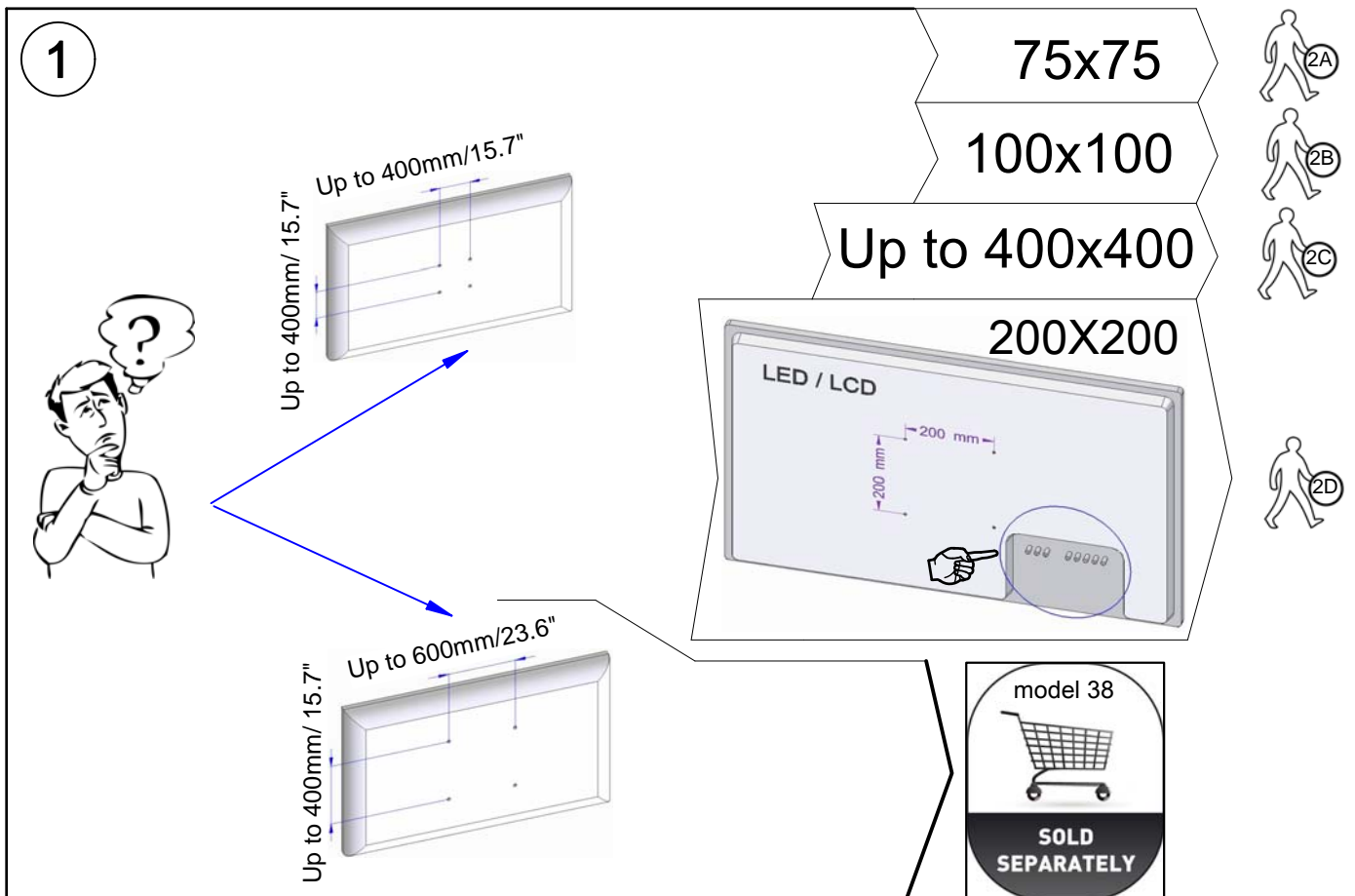
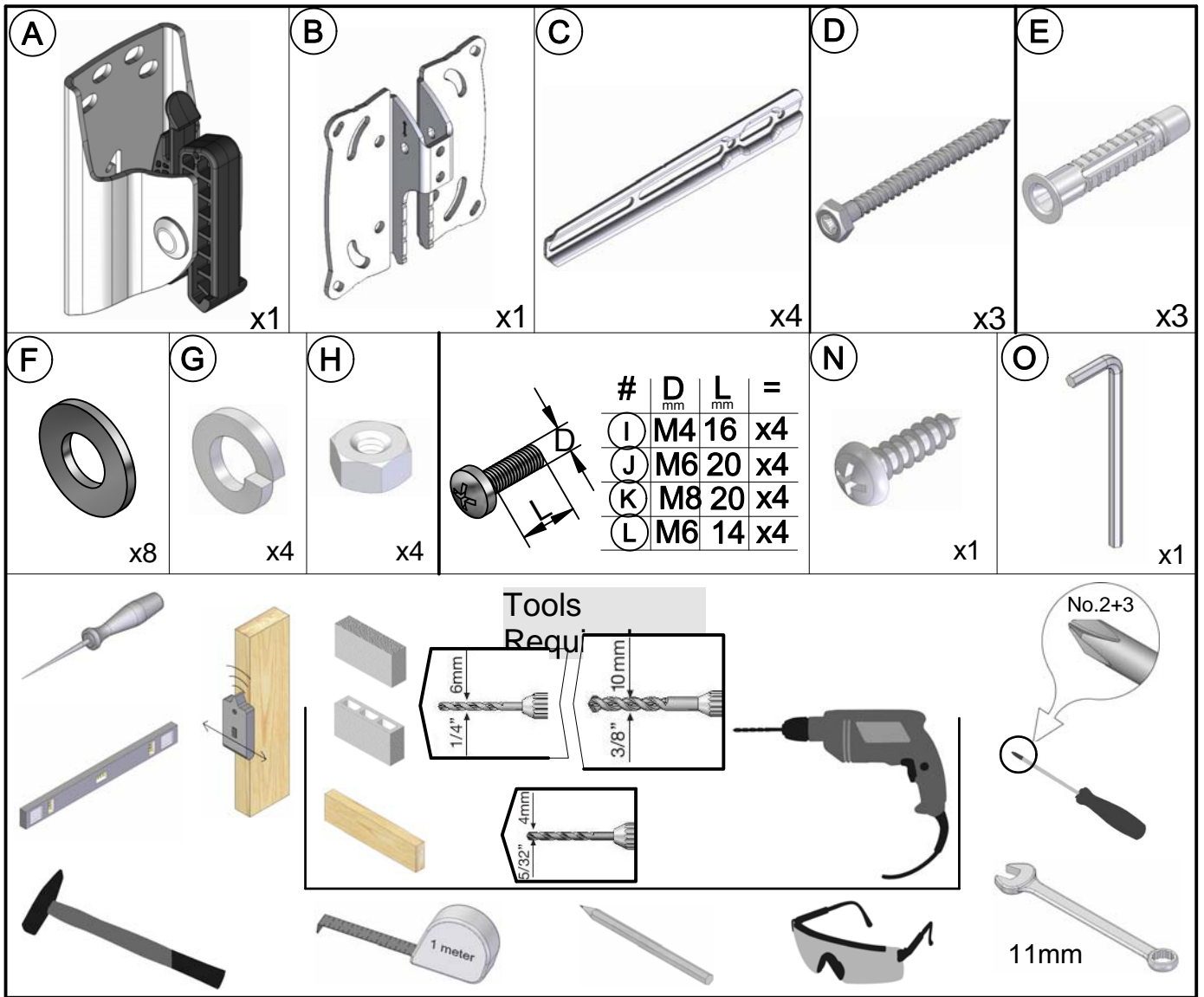
LED/LCD/Plasma Wall Mount

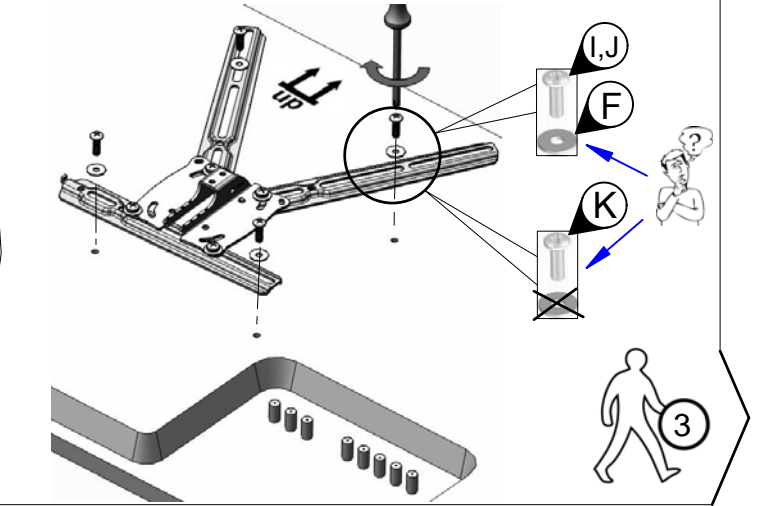
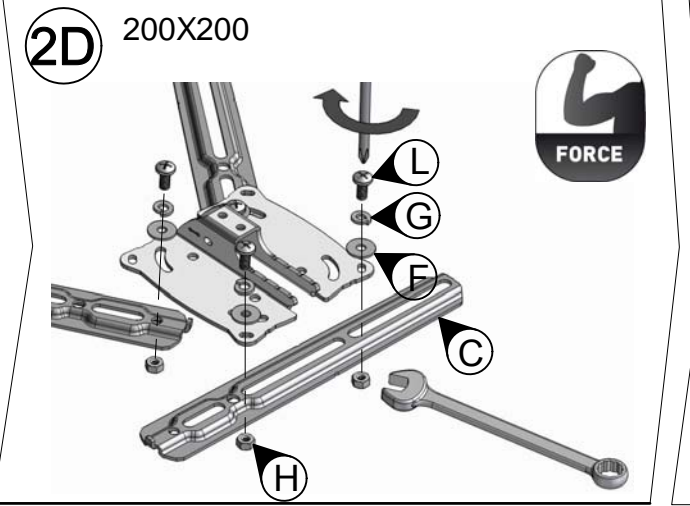
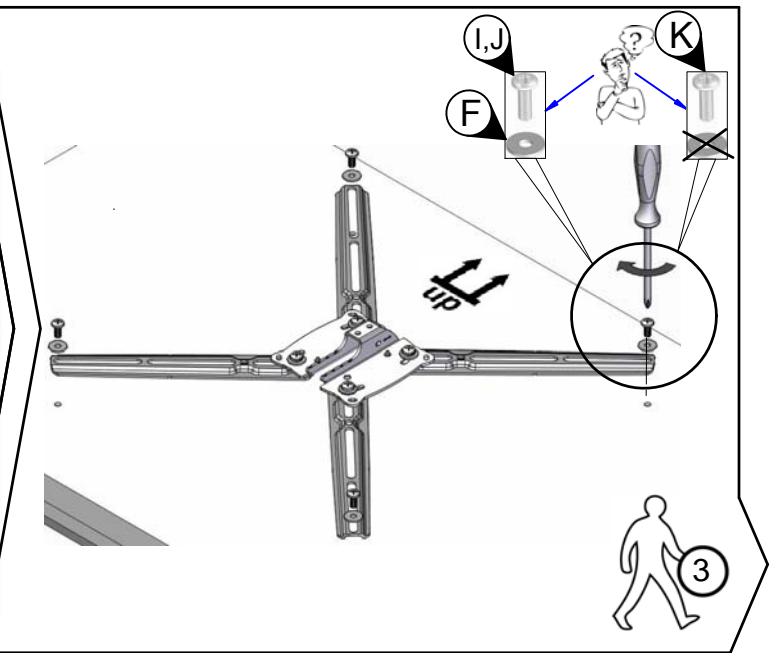
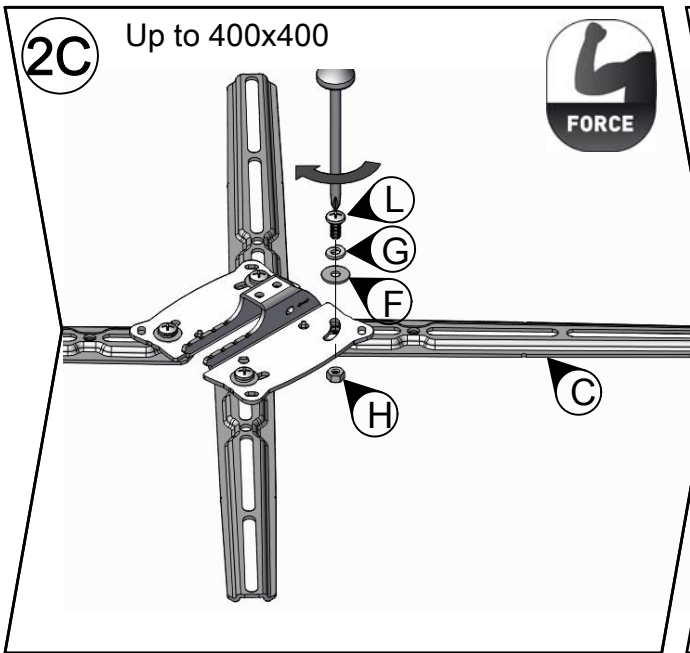
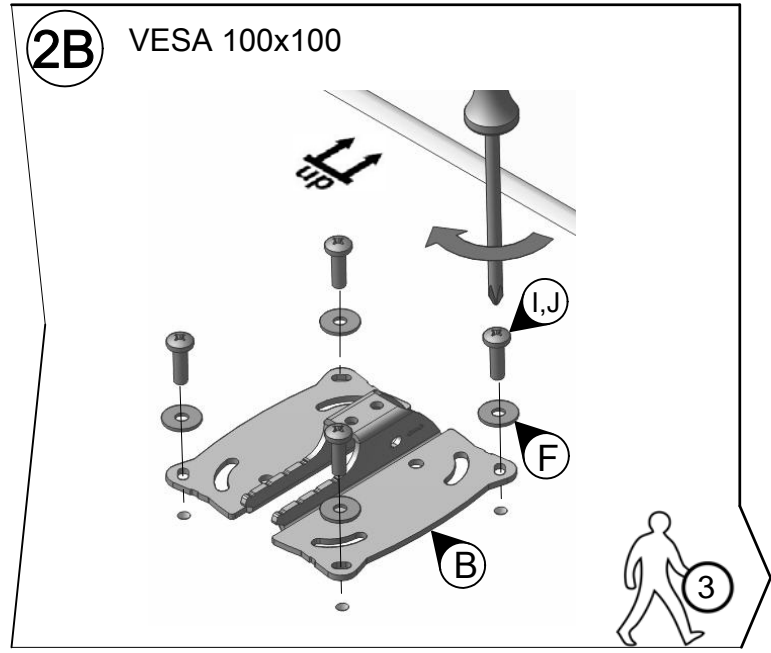
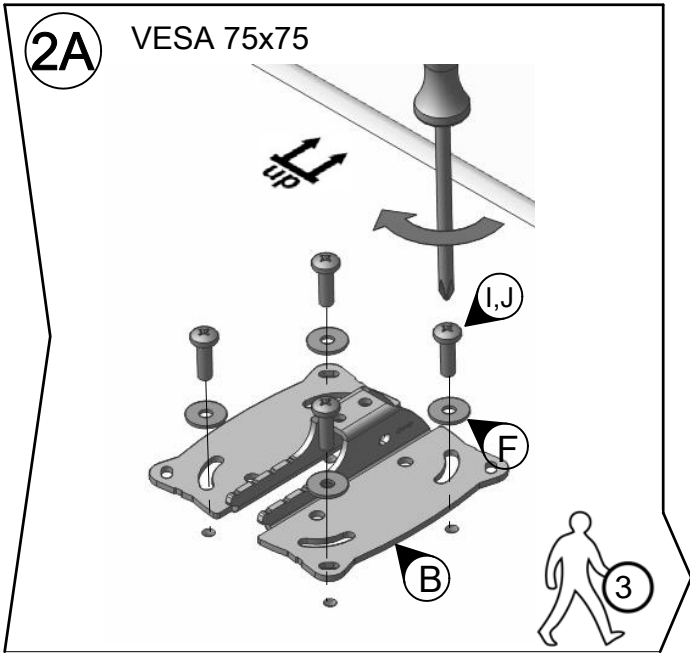


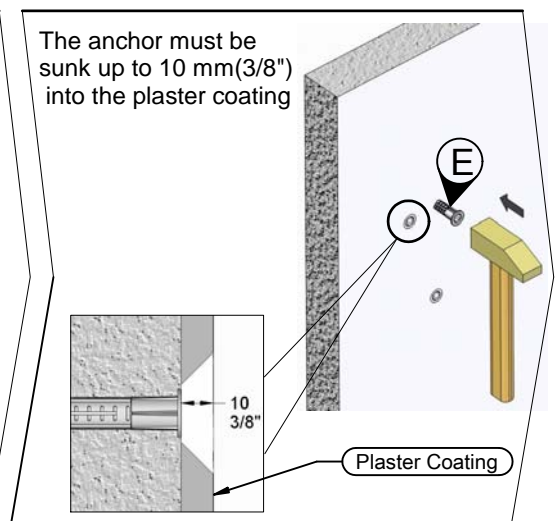
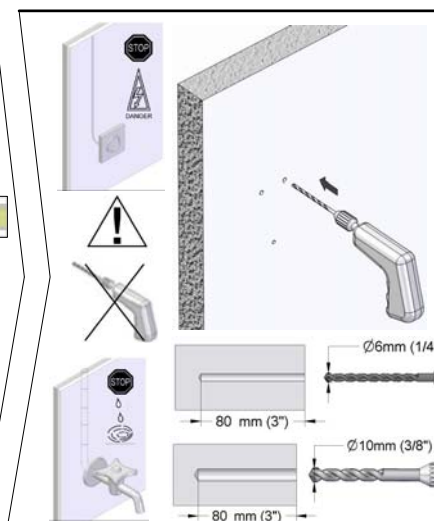
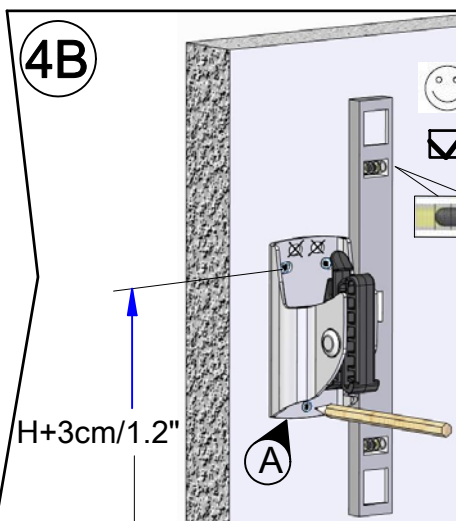
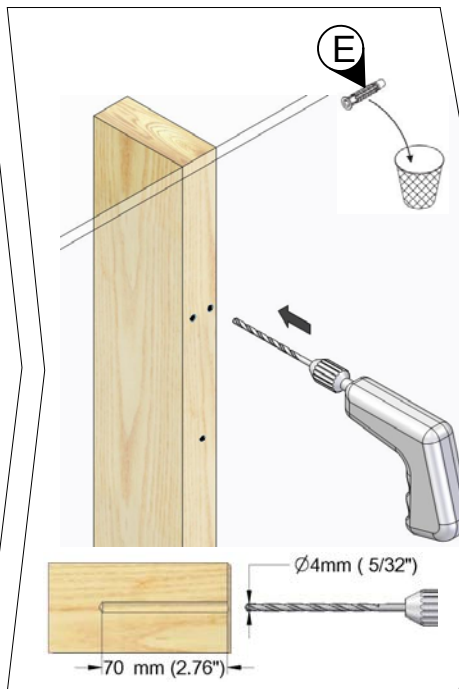
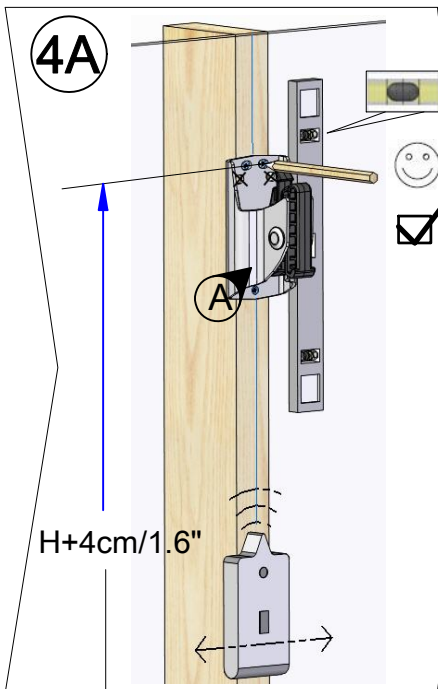
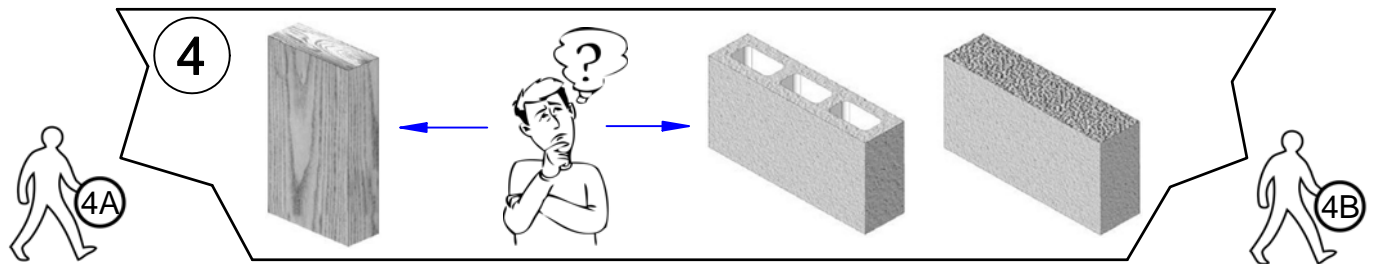
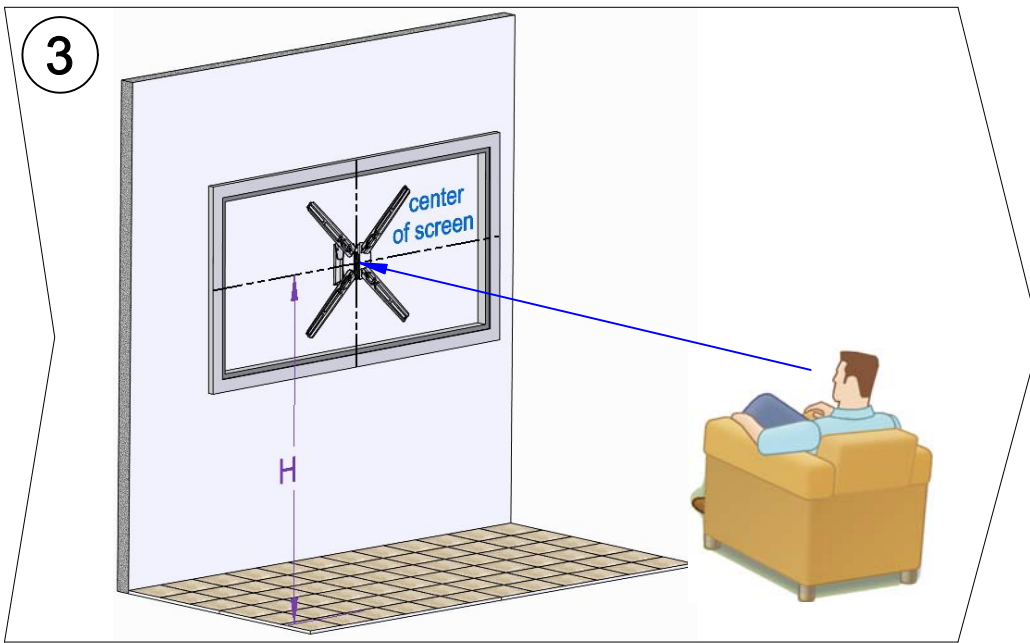
Fits up to 56" / 142 cm LED / LCD / Plasma	 Max	
	US 66 lbs	EU 30 kg

CAUTION - This Mount is intended for use only with the maximum weight as indicated. Using heavier products, might cause injury.









5 Test!

FORCE

1 Min 4 X Max 9

2 x Min 2

D

30kg / 66lbs

✓

✗

The diagram illustrates the force test procedure. It shows a hand applying force to the screen assembly. A 'FORCE' icon with a hand symbol is present. The test is performed in two steps: Step 1 involves applying force to the screen, with a 'Min 4 X Max 9' specification. Step 2 involves applying force to the frame, with a 'x Min 2' specification. A 'D' label points to a specific part of the assembly. The test results are indicated by a smiley face and a checkmark for a successful test, and a frowny face and a crossed-out checkmark for a failed test. A weight of 30kg / 66lbs is specified for the test.

click

The diagram shows the assembly of the screen frame. A hand is shown clicking a component into place. The word 'click' is written in a blue oval next to the assembly point.

FALL PROOF

N

The diagram shows the adjustment of the screen frame. A hand is shown adjusting a component. A 'FALL PROOF' icon with a crossed-out hand symbol is present. A 'N' label points to a specific part of the assembly.

FRICION ADJUSTMENT

SCREEN LEVELING

$\pm 5^\circ$

O

The diagram shows the adjustment of the screen frame. A hand is shown adjusting a component. A 'FRICION ADJUSTMENT' icon with a hand symbol and a curved arrow is present. A 'SCREEN LEVELING' icon with a hand symbol and a curved arrow is present. A ' $\pm 5^\circ$ ' specification is shown. A 'O' label points to a specific part of the assembly.

DISCONNECT

1

2

3

The diagram shows the disconnection of the screen frame. A hand is shown disconnecting a component. A 'DISCONNECT' icon with a hand symbol and a curved arrow is present. The steps are numbered 1, 2, and 3.