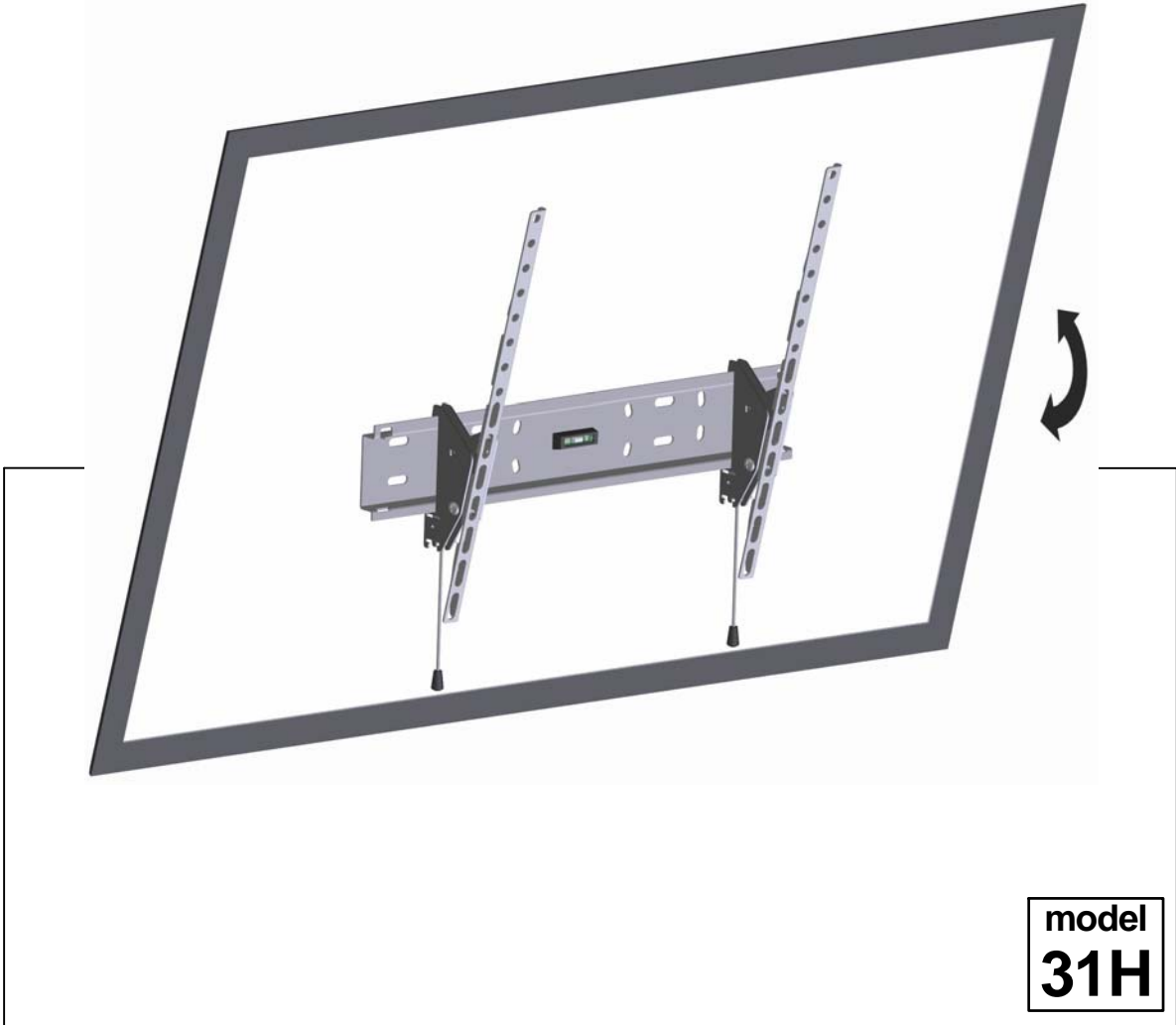



# Tilt LED/LCD/Plasma Wall Mount



Fits up to <b>56" / 142 cm</b> LED / LCD / Plasma	 <b>Max</b>	
	US 110 lbs	EU 50 kg

**CAUTION** - This Mount is intended for use only with the maximum weight as indicated. Using heavier products, might cause injury.



**(A)**

x1

**(B1)**

x1

**(B2)**

x1

**(C)**

x4

**(D)**

x4

**(E)**

x8

**(F)** # D L =  
**(G)** M4 20 x4  
**(H)** M6 20 x4  
**(I)** M8 20 x4

**(I)**

x4

**Tools Required**

No.2+3

11mm

**1**

**BACK OF SCREEN**

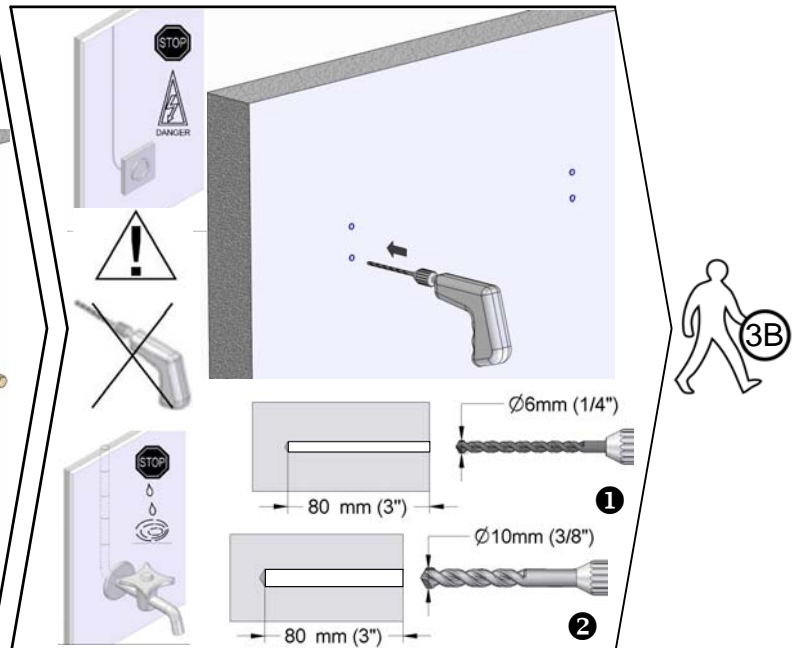
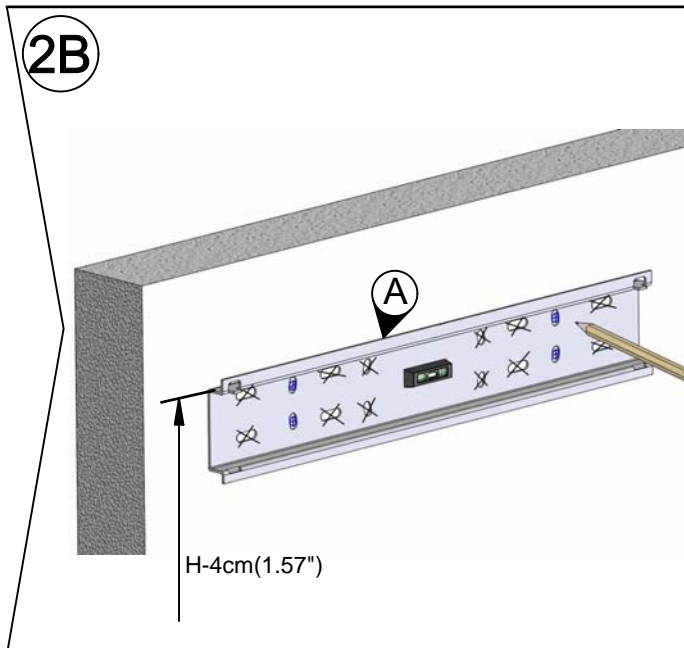
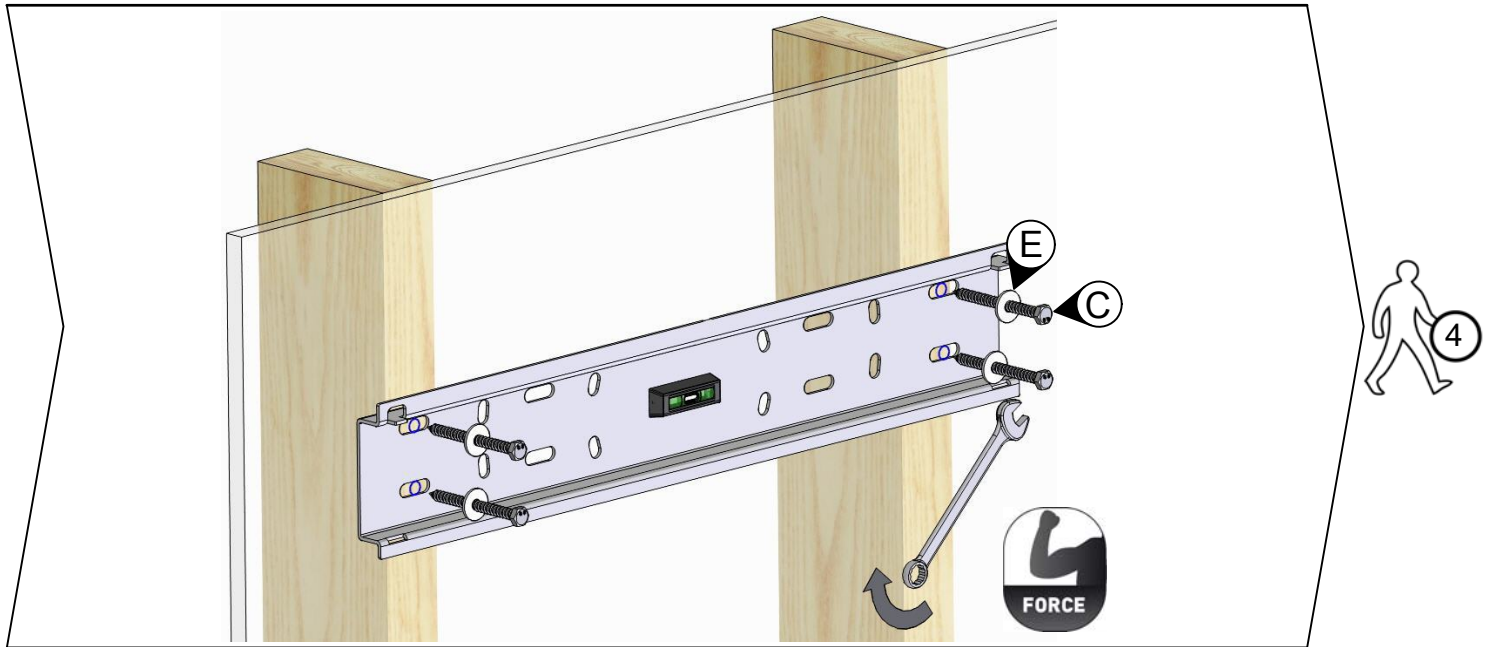
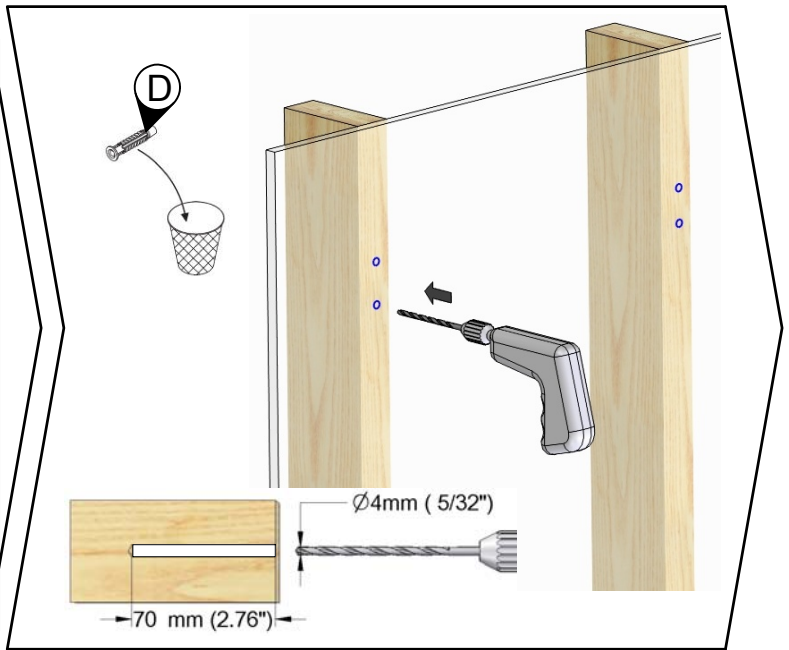
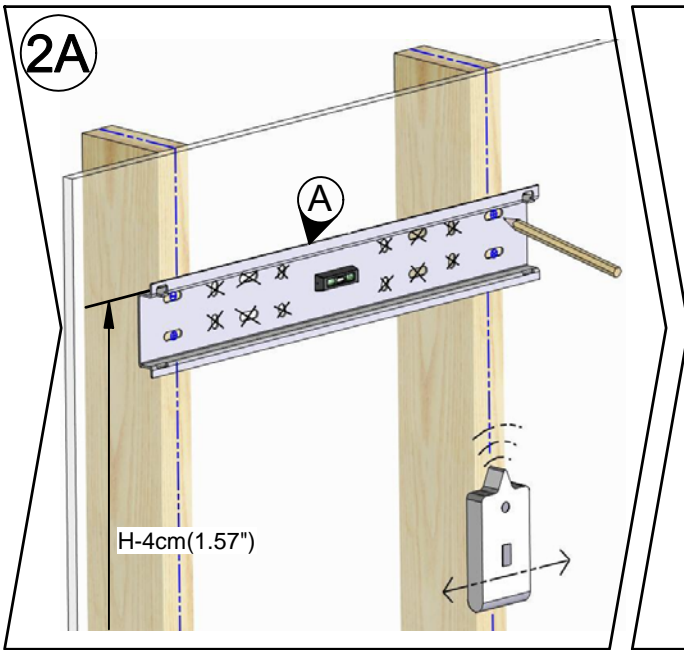
Max 400mm / 15.75"

Center of screen

H+4cm (1.57") H

**(2A)**

**(2B)**



**3B**

The anchor must be sunk up to 10 mm (3/8") into the plaster coating

Plaster Coating

**D**

**E**

**C**

**1**

**2**

**X** Min 4  
Max 9

**x** Min 2

**4**

**FORCE**

**4 Test!**

50kg / 88lbs

**H**

**F, G**

**E**

**I**

**TV**

**B1**

**B2**

**5**

**H**

**F, G**

**E**

**I**

**TV**

**B1**

**B2**

