



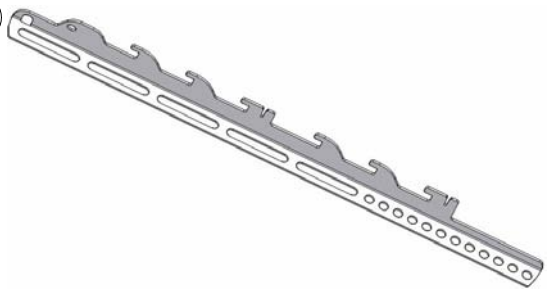

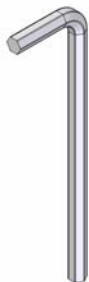

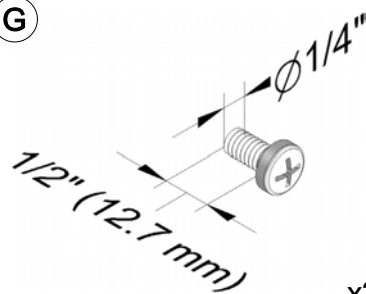


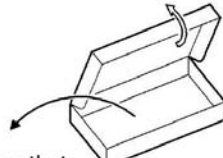
# Fixed PRO LCD/PLASMA WALL mount

## Assembly instructions

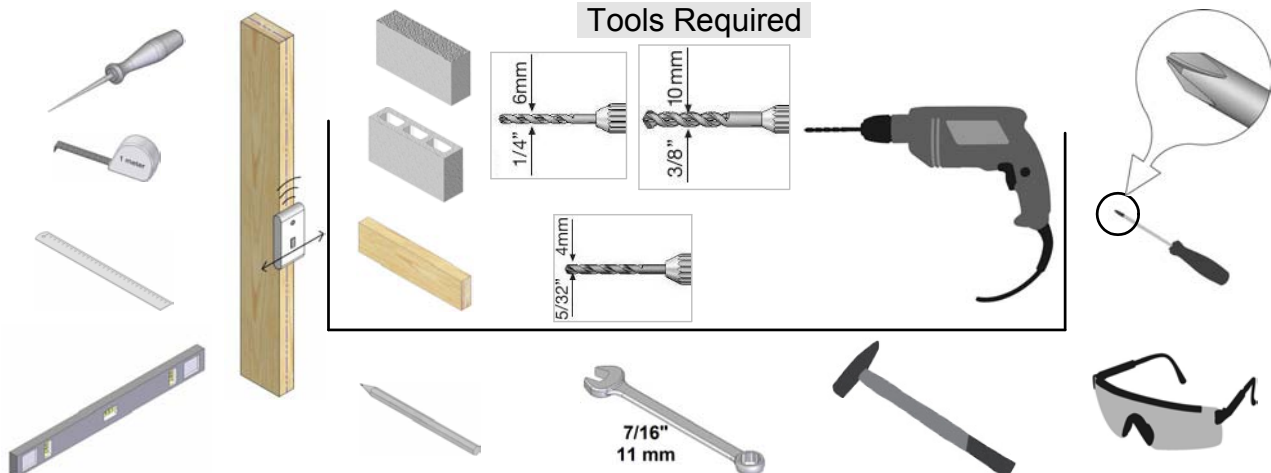


**⚠ CAUTION** - This LCD/Plasma mount is intended for use only with the maximum weights indicated. Use with products heavier than the maximum weights indicated may result in instability causing possible injury.


Fits Up to <b>60"</b> 152cm LCD/Plasma	<b>Max</b>	
	US 176lbs	EU 80kg

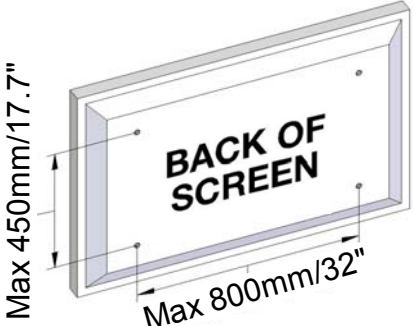
1:10	<b>(A)</b>  x2	1:1	<b>(M)</b> The provided M bolts may change in size according to the evolution of screen market requirements  x1	
1:5	<b>(B)</b>  x2	<b>(C)</b>  x2		
1:2	<b>(D)</b>  x1	<b>(E)</b>  x6	<b>(F)</b>  x6	<b>(G)</b>  x2
<b>(H)</b>  x2	<b>(K)</b>  x4	  Please make sure that package contains all parts		

**Tools Required**




**1**

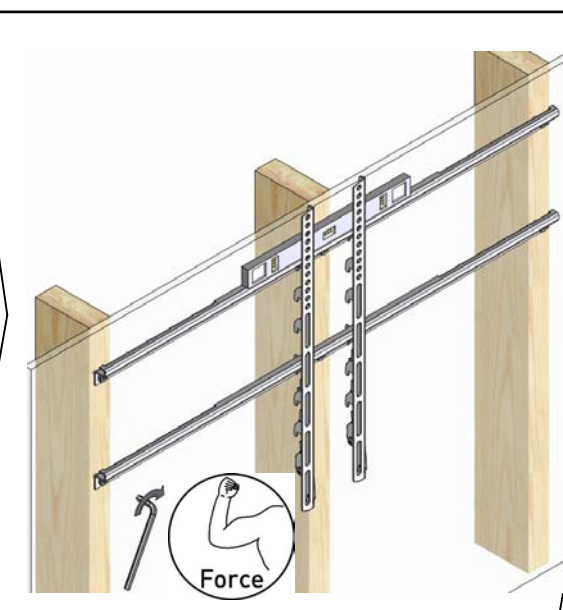
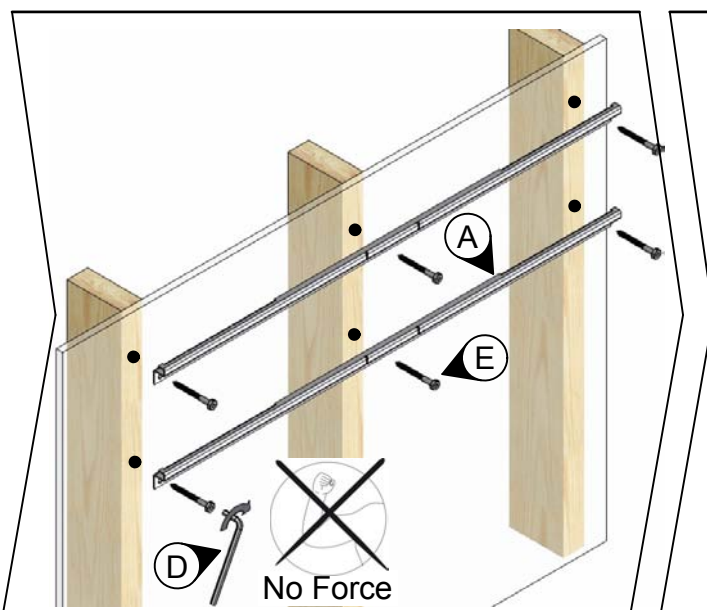
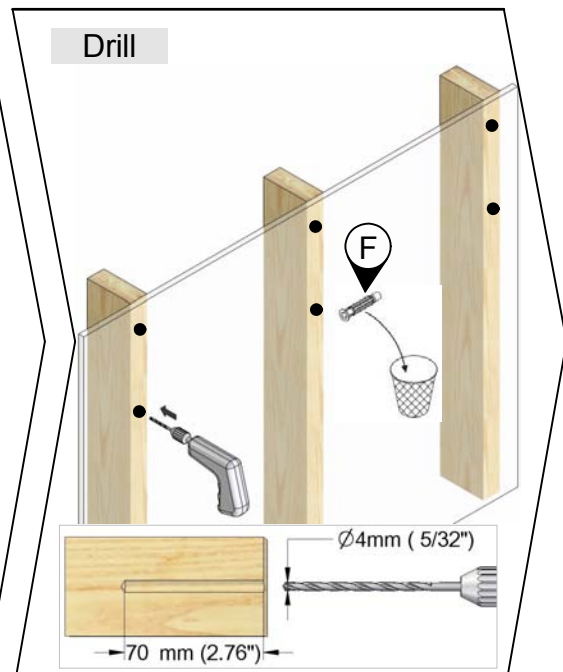
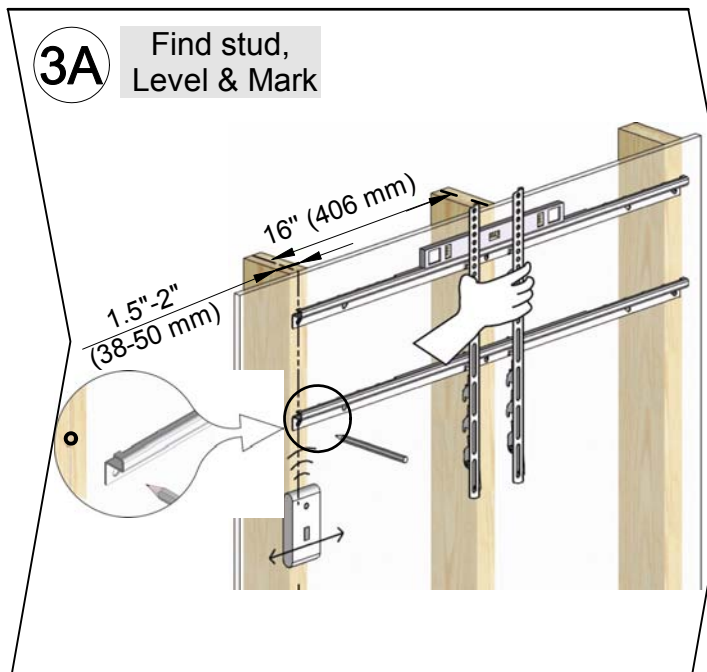
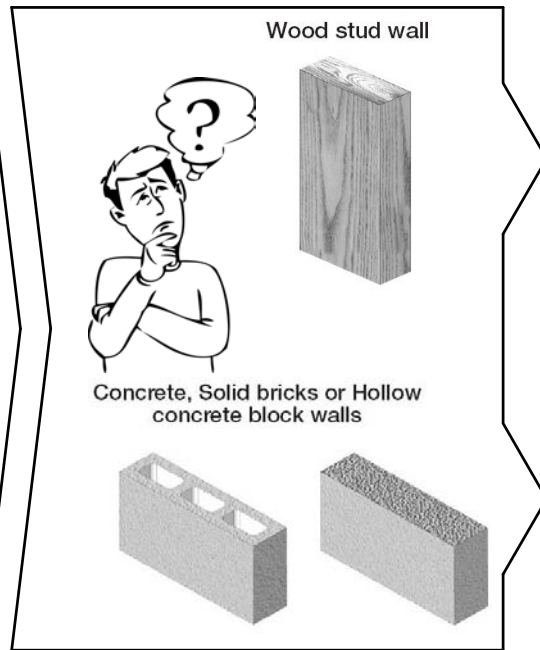
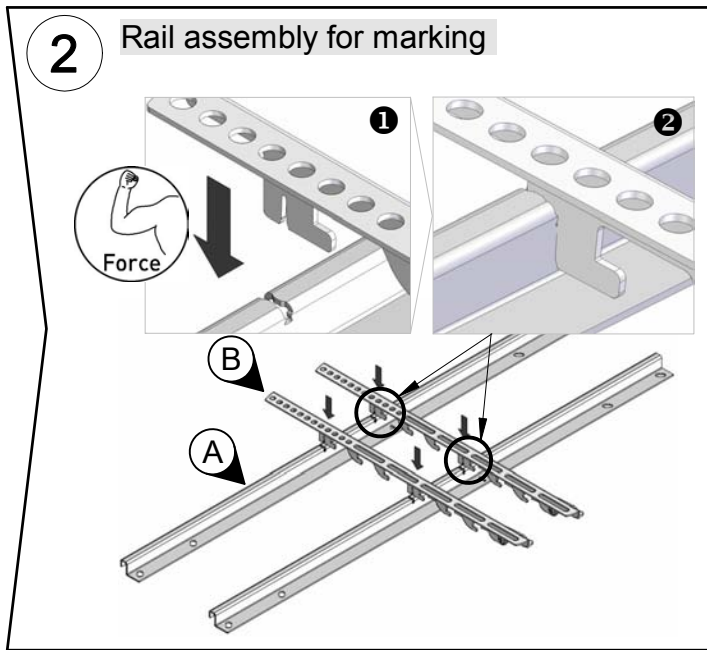




**BACK OF SCREEN**

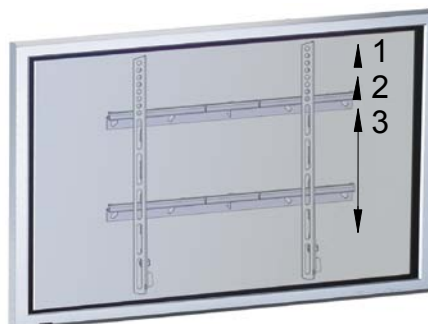
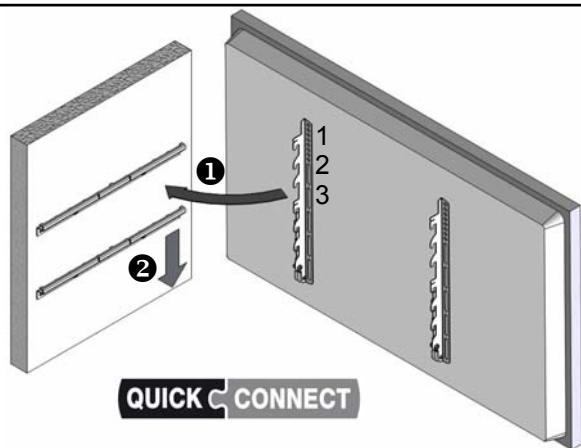
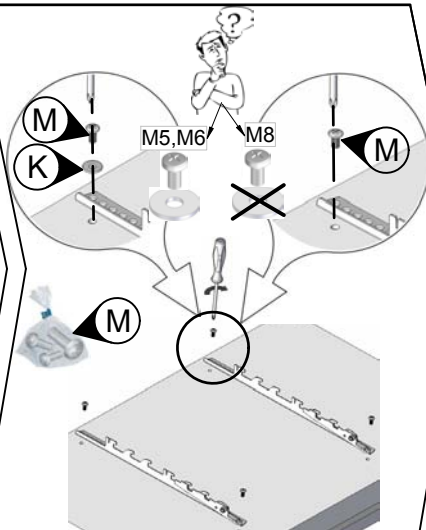
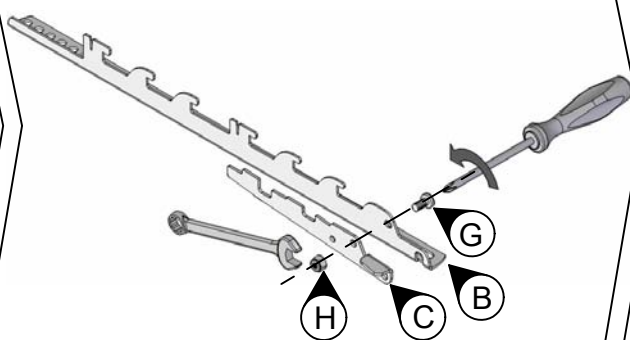
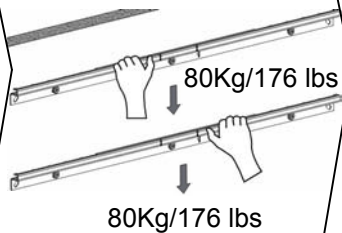


**2**





**4 Test!**



**HEIGHT ADJUSTMENT**  
Choice of 3 height positions for enhanced viewing quality

