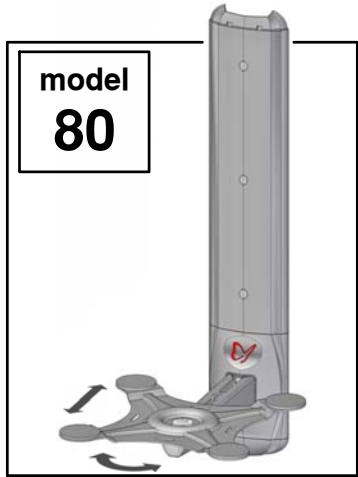




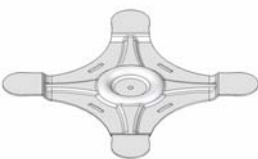







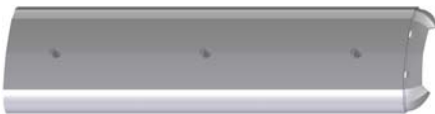




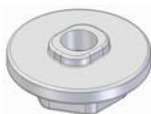




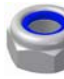

# Elegant Wall Mounted Audio Video Shelf



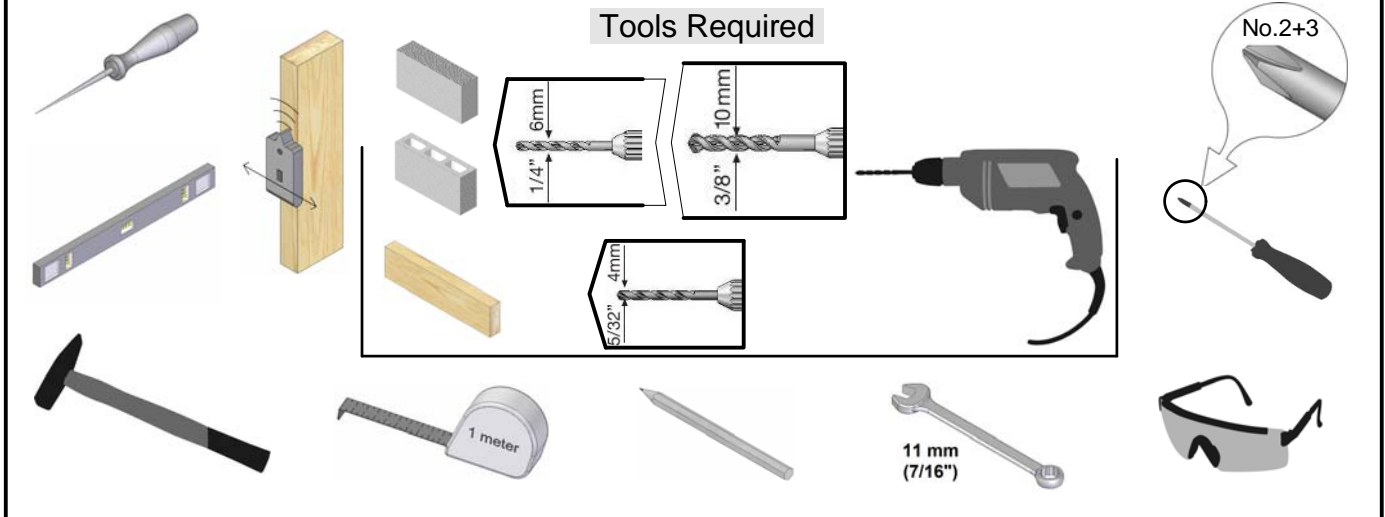
<b>Max</b>	<b>US</b>	<b>EU</b>
	55lbs	25kg

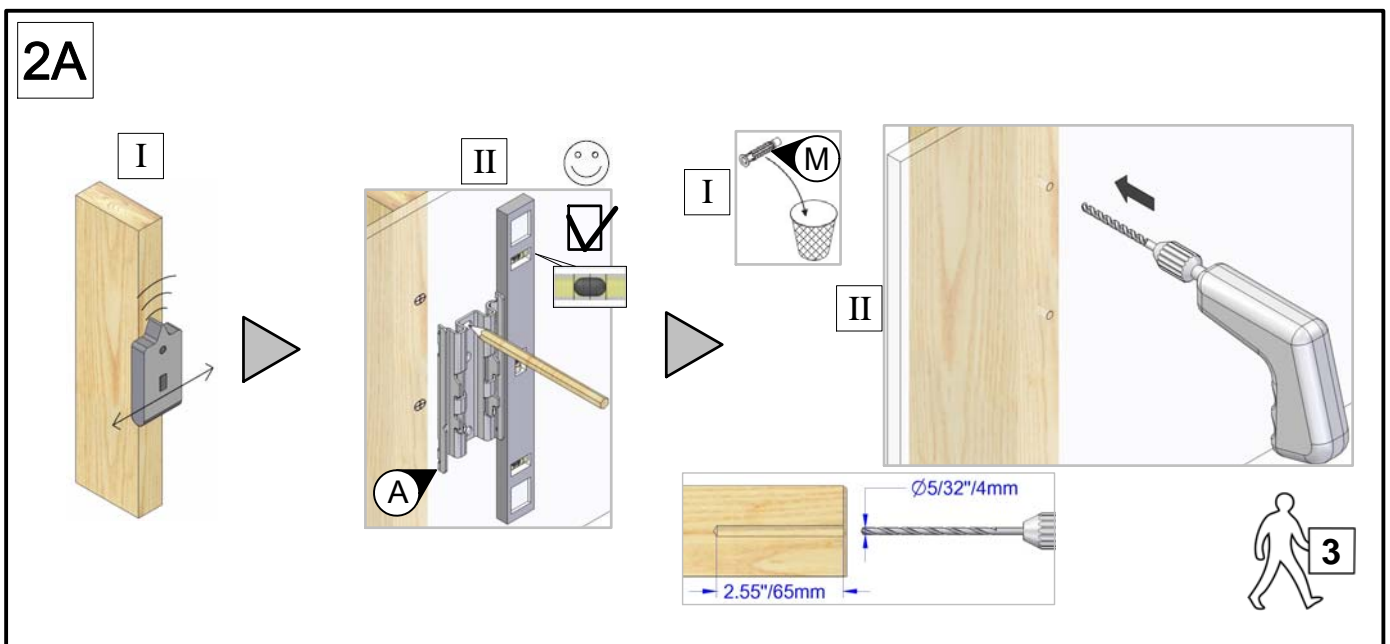
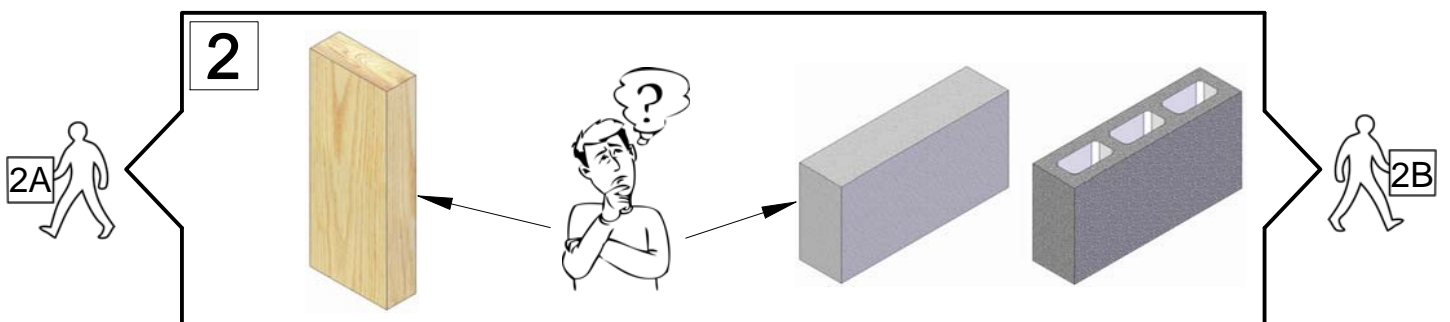
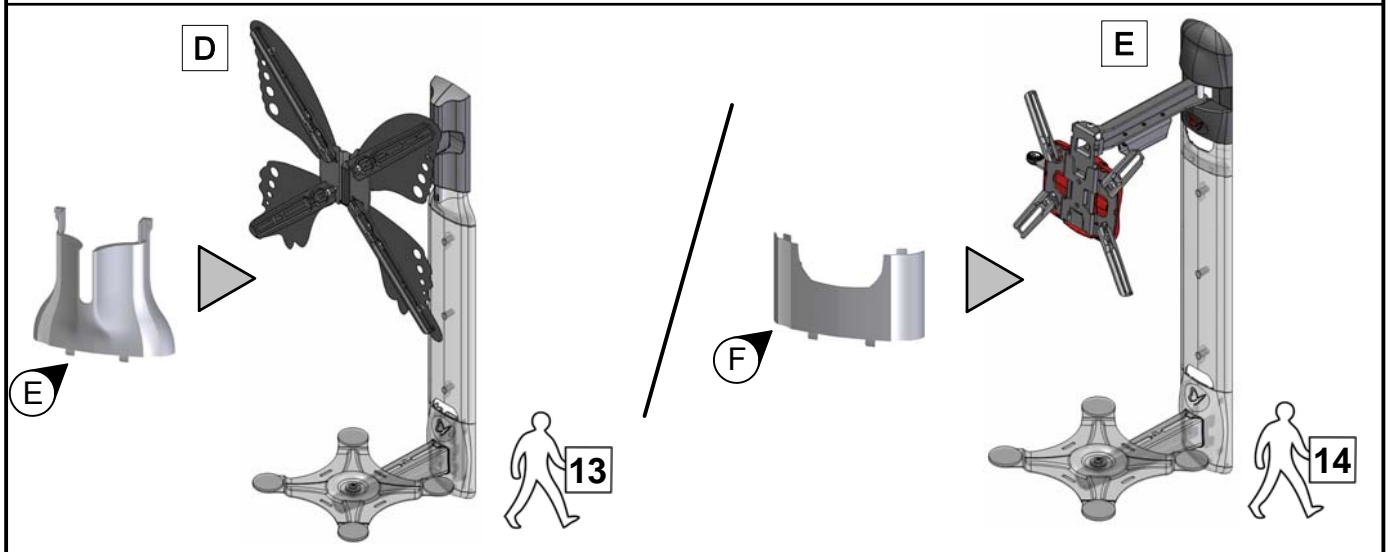
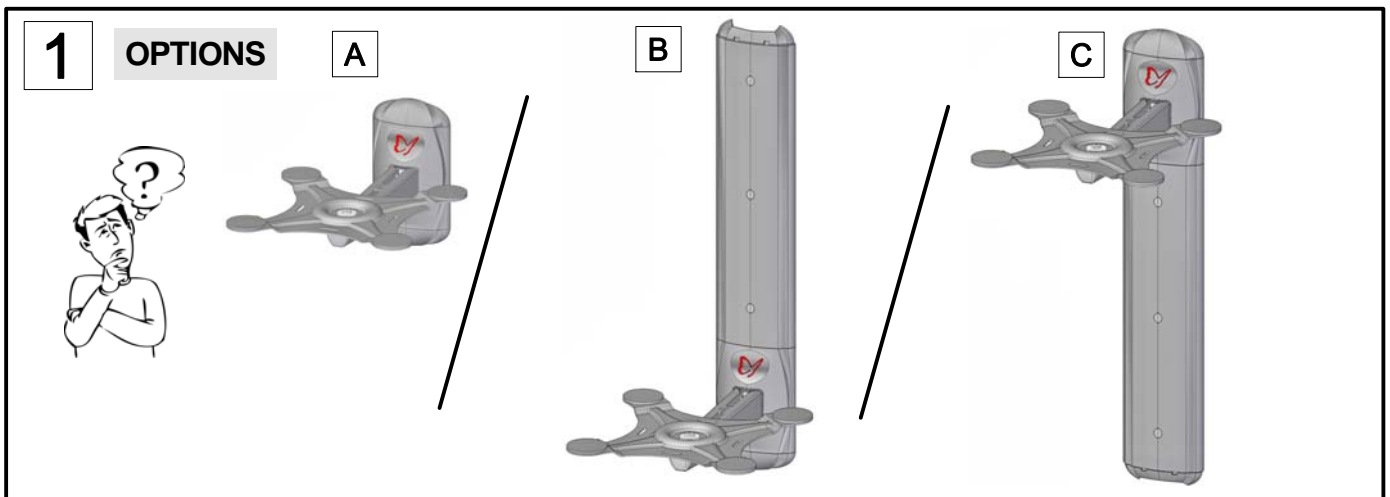
**CAUTION** - This Mount is intended for use only with the maximum weight as indicated. Using heavier products, might cause injury.



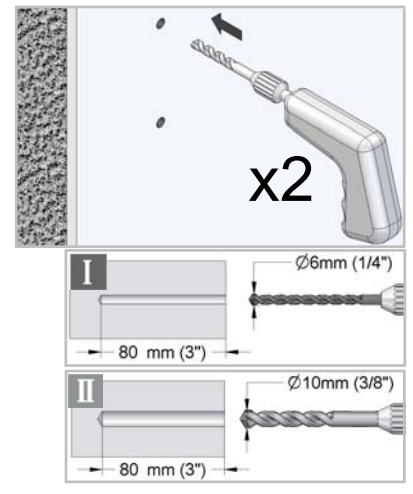
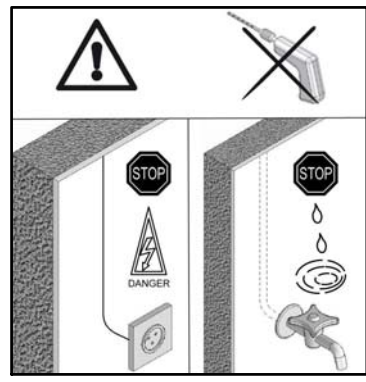
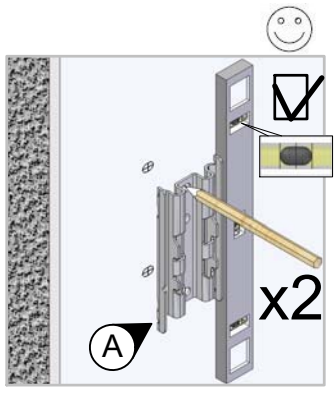
<b>A</b>  x1	<b>B</b>  x1	<b>C</b>  x1	<b>D</b>  x1
<b>E</b>  x1	<b>F</b>  x1	<b>G</b>  x2	<b>H</b>  x1
<b>I</b>  x1	<b>J</b>  x1	<b>K</b>  x1	
<b>L</b>  x2	<b>M</b>  x2	<b>N</b>  x1	<b>O</b>  x3
<b>P</b>  x1	<b>Q</b>  x3	<b>R</b>  x3	<b>S</b>  x2
<b>T</b>  x1	<b>U</b>  x1	<b>V</b>  x1	

## Tools Required

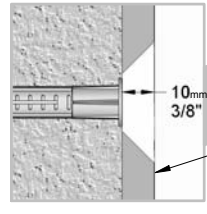




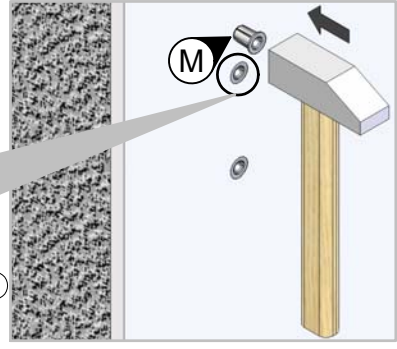
2B



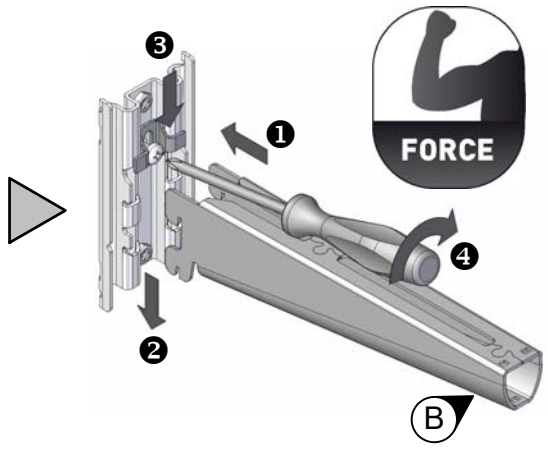
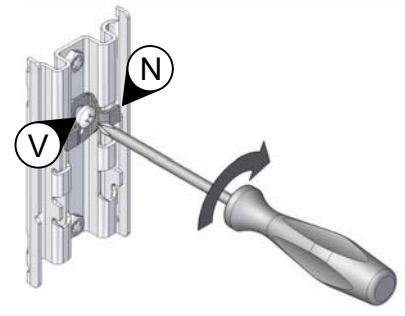
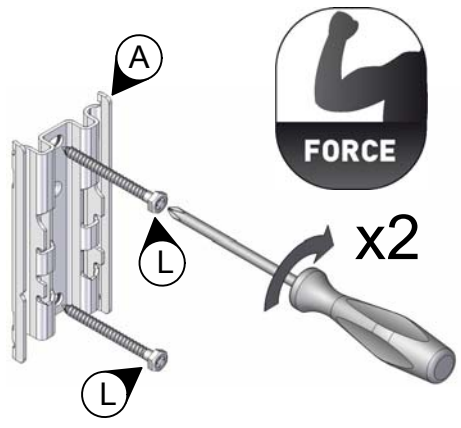
The anchor must be sunk up to 10 mm (3/8") into the plaster coating



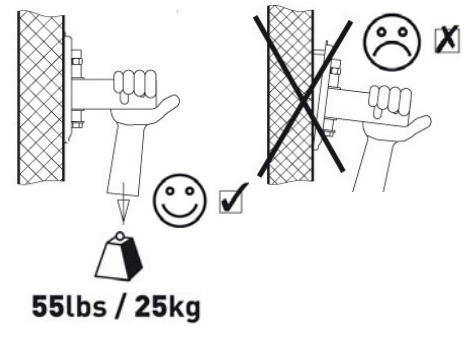
Plaster Coating



3



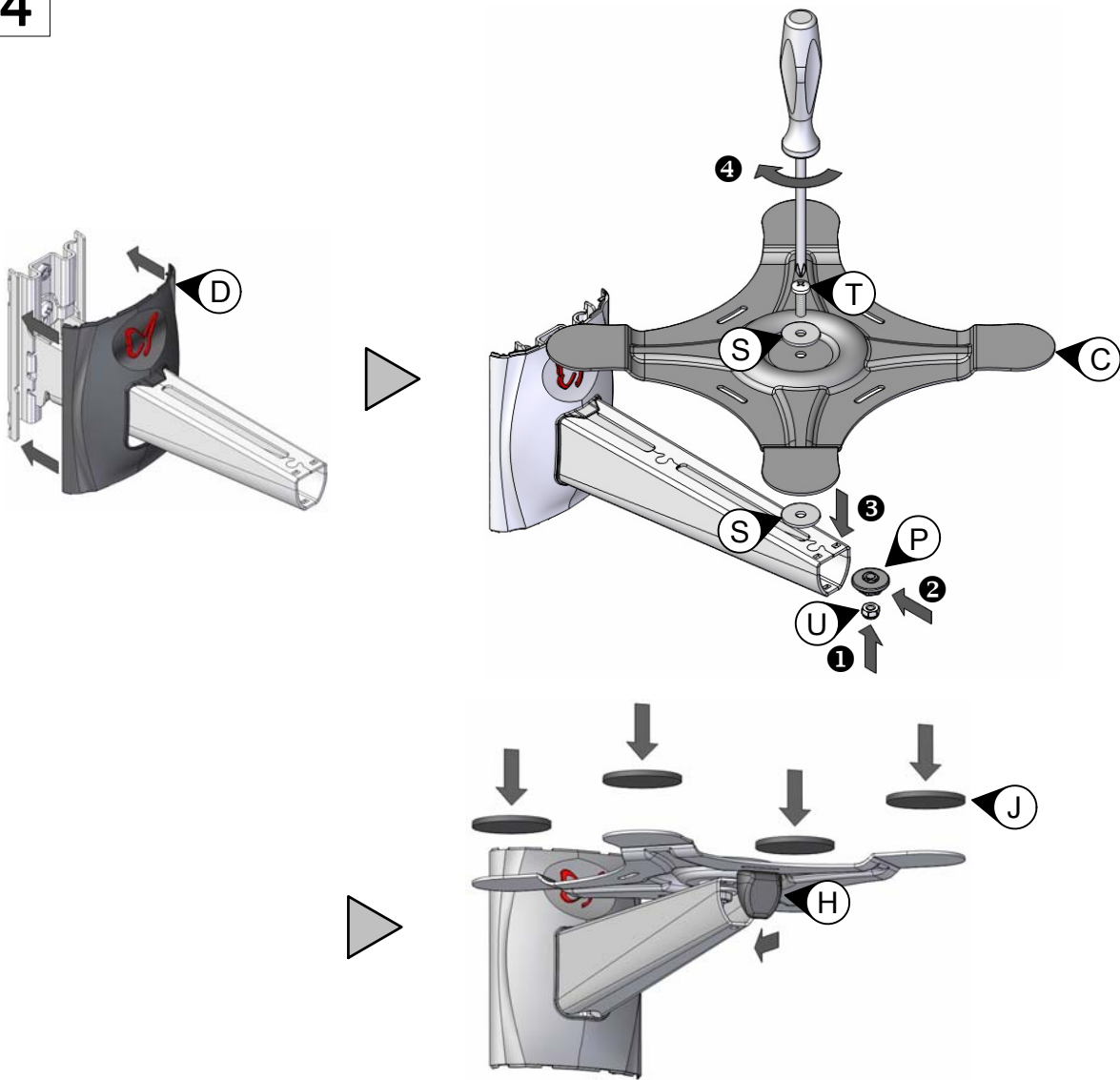
Test



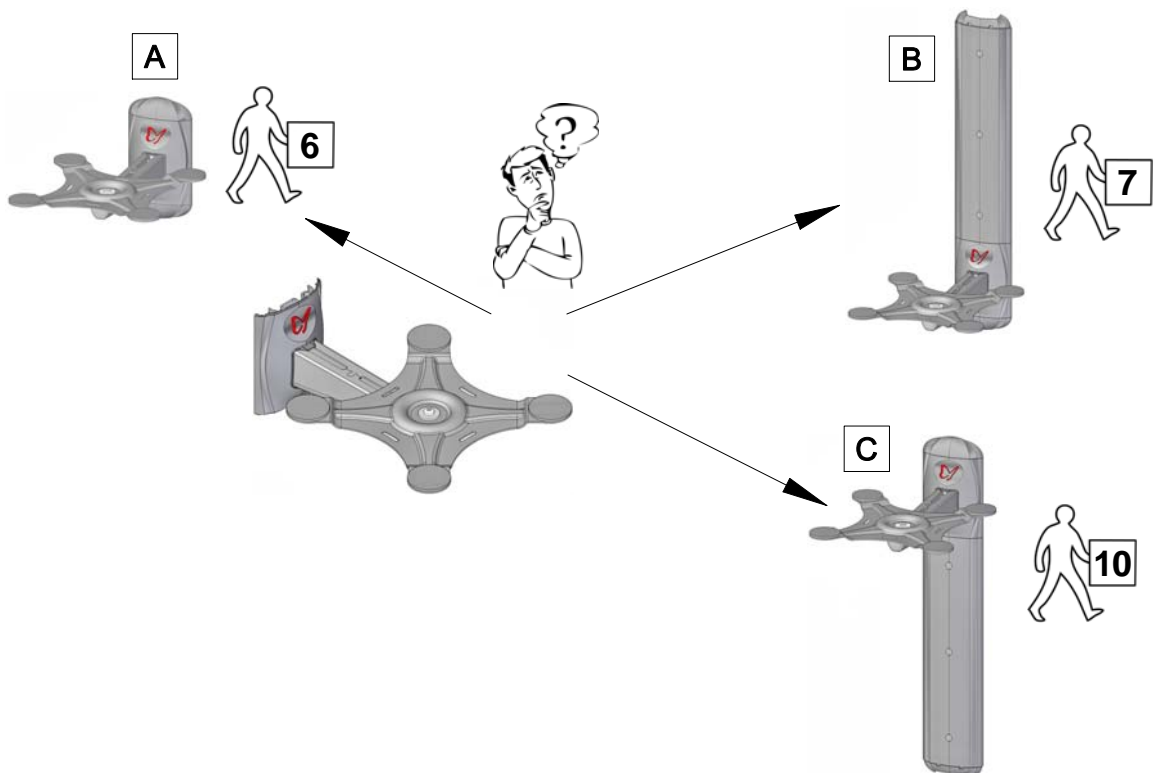
55lbs / 25kg

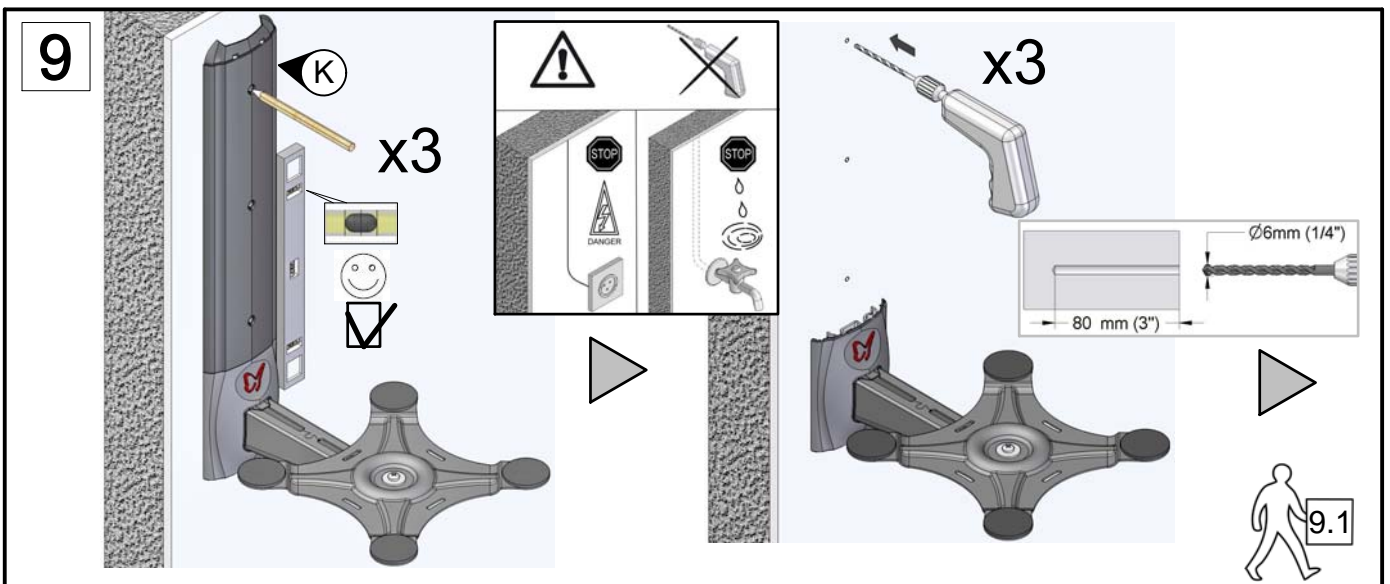
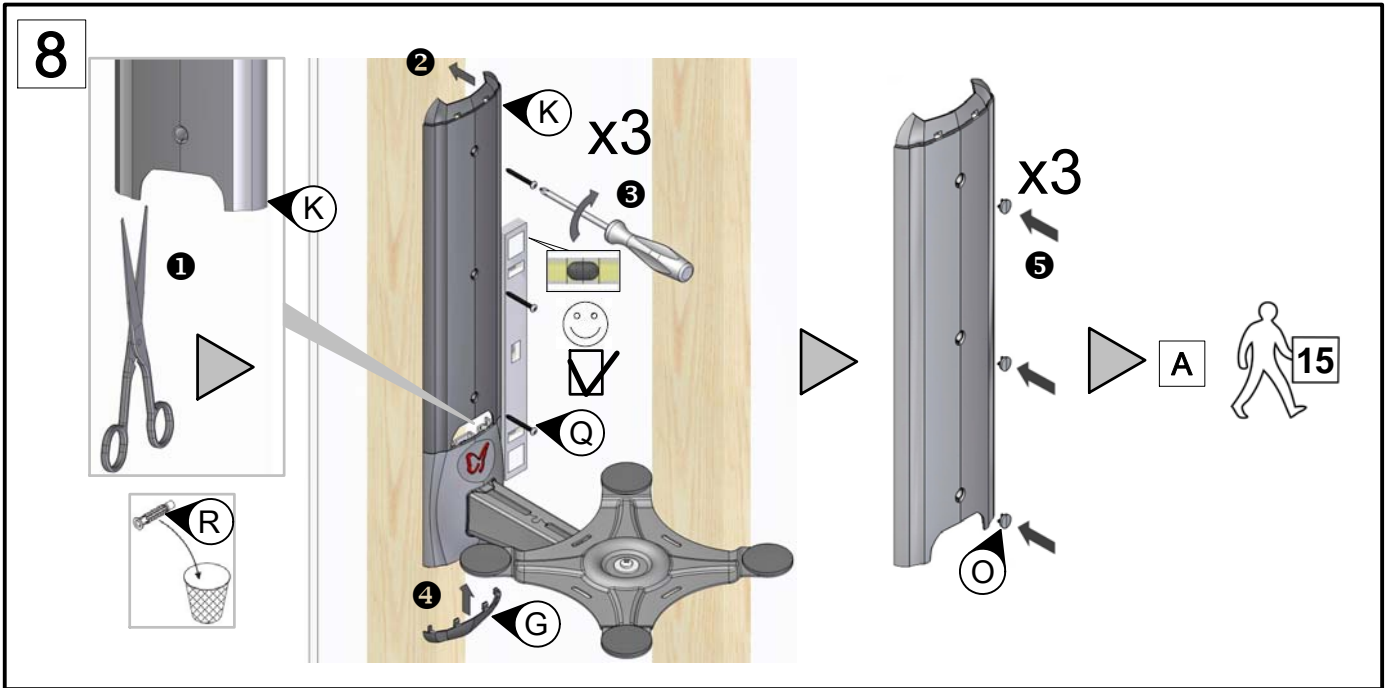
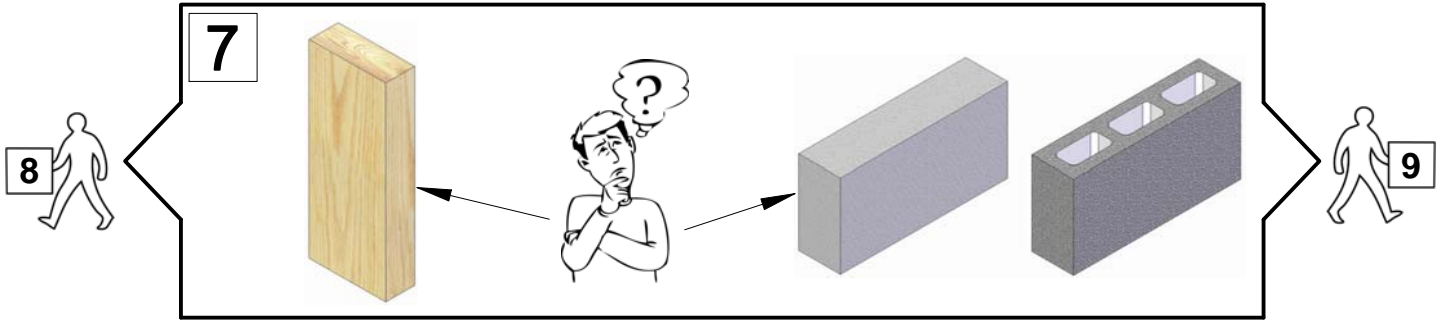
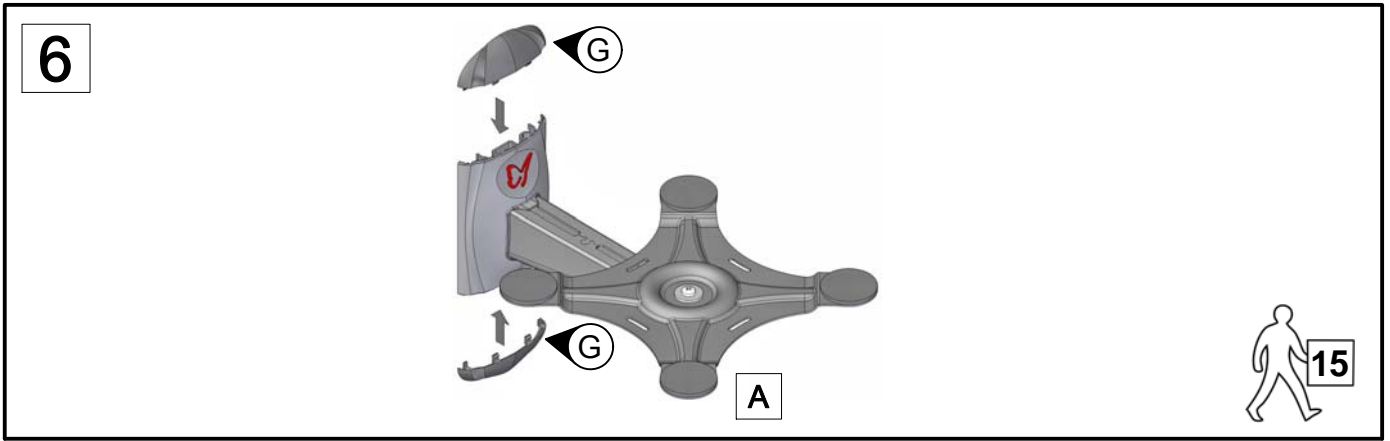


4

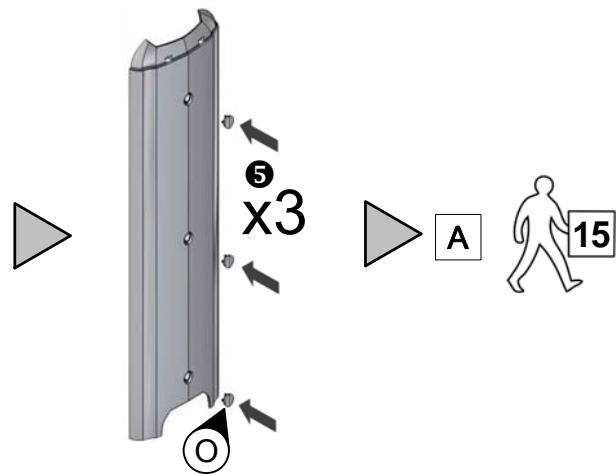
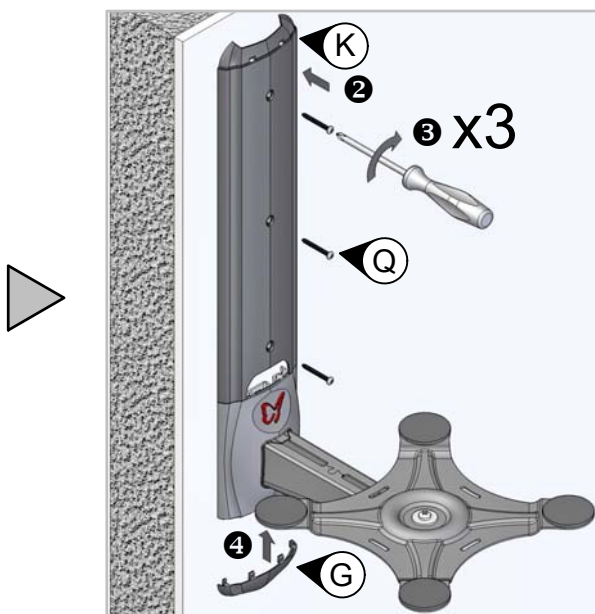
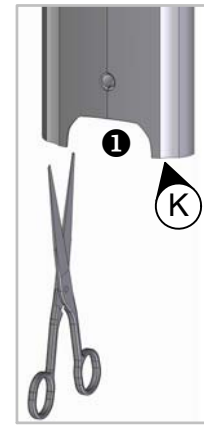
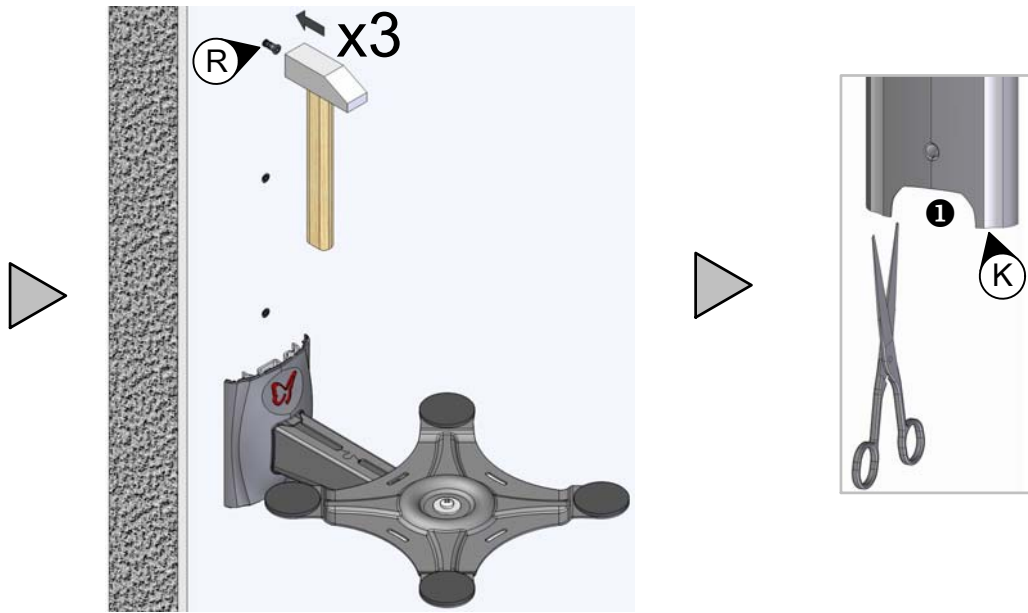


5





9.1



A

