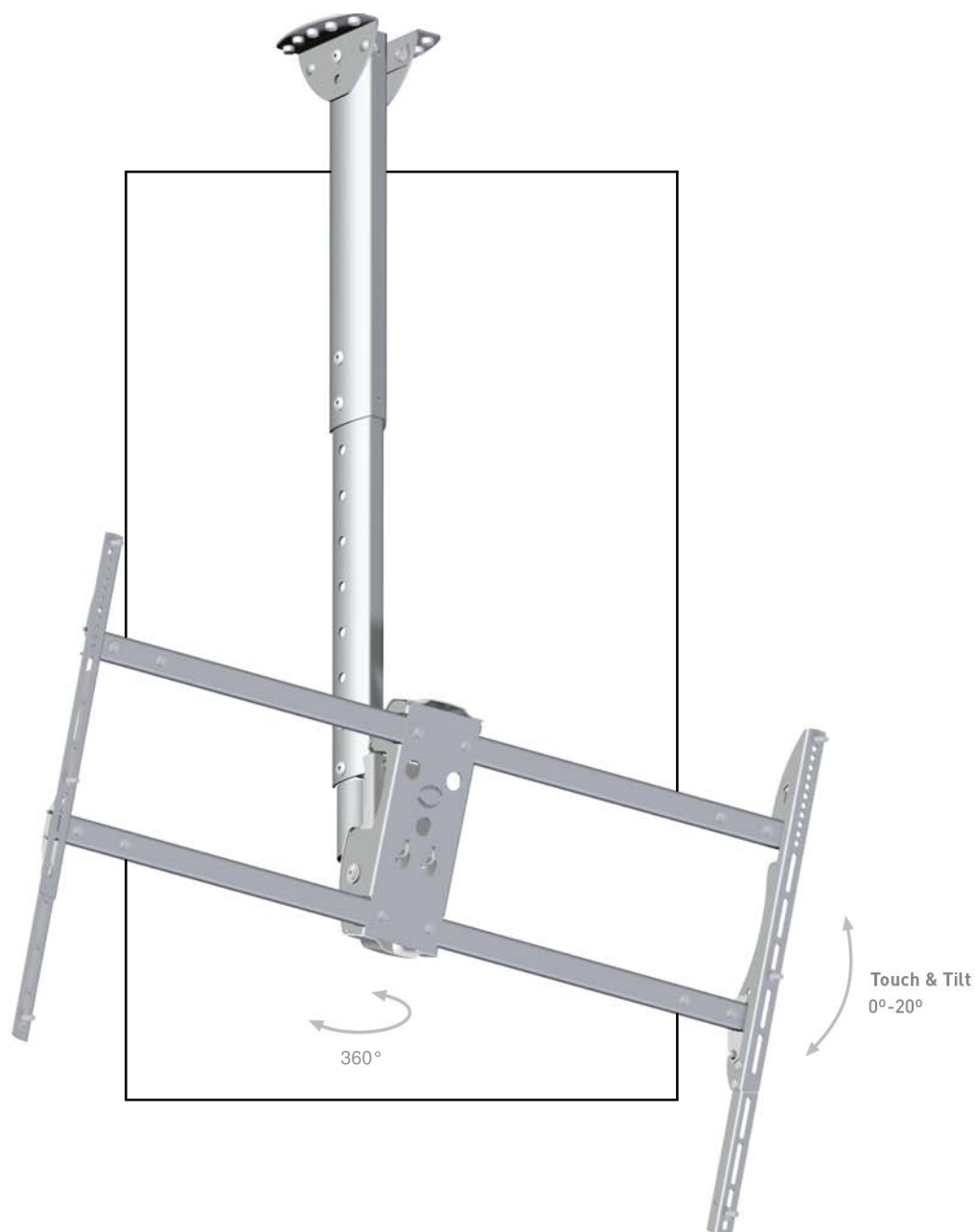


Swivel & Tilt LCD/PLASMA CEILING MOUNT











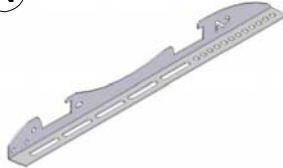
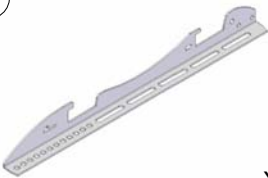























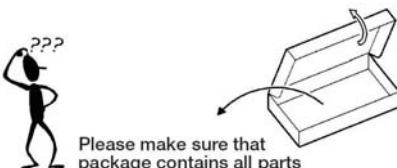
Safety & assembly instructions

model
65M



⚠ CAUTION - This LCD/Plasma mount is intended for use only with the maximum weights indicated. Use with products heavier than the maximum weights indicated may result in instability causing possible injury.

Fits Up to 70" 178cm LCD/Plasma	Max	
	US 187lbs	EU 85kg

1:10	(A)  x1	(B)  x1	(C)  x1	(D)  x1	(E)  x1	
	(F)  x1	(G)  x2	(H)  x1	(I)  x2		
	(J)  x2		(K)  x1	(L)  x1		
	(M) The provided Screen bolts may change in size according to changing screen requirements  x1	(AJ)  x1		(AH)  x1		
1:5	(O)  x2	(P)  x1		(Q)  x2		
	(R)  x12	(S)  x10	(T)  $\phi 14 / 16.4 \text{ mm}$ x10	(U)  x10	(V)  $1/2" / 12.7 \text{ mm}$ x6	
1:2	(W)  x16	(X)  x2	(Y)  x2	(AI)  x4	(Z)  x18	(AA)  $\phi 5/16" / 8.7 \text{ mm}$ x6
	(AB)  $1.9" / 48 \text{ mm}$ x2	(AC)  $2.2" / 56 \text{ mm}$ x1	(AD)  $1.8" / 45 \text{ mm}$ x2	(AE)  $2.2" / 55 \text{ mm}$ x2	(AF)  $2.6" / 65 \text{ mm}$ x1	(AG)  x10
	 Please make sure that package contains all parts					

Tools Required

1

I

BACK OF SCREEN

Max 47\" / 120 cm

II

BACK OF SCREEN

Max 47\" / 120 cm

Bracket assembly to screen

up

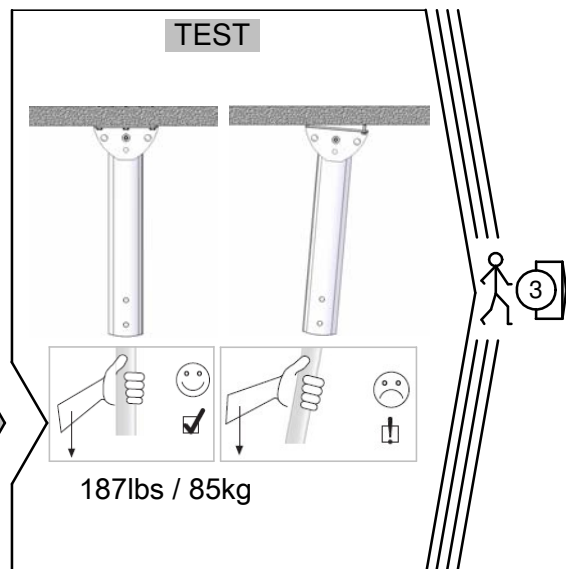
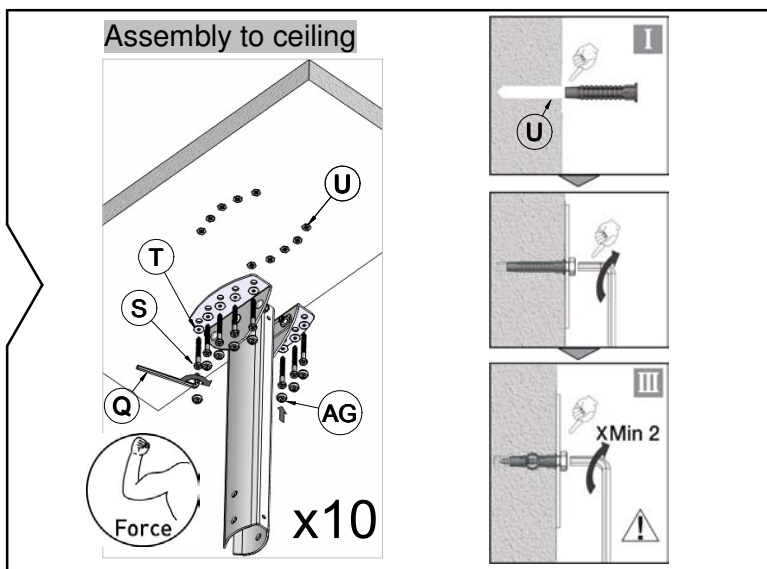
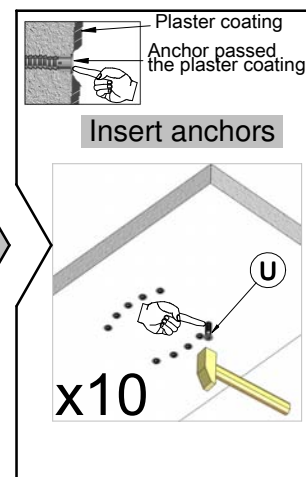
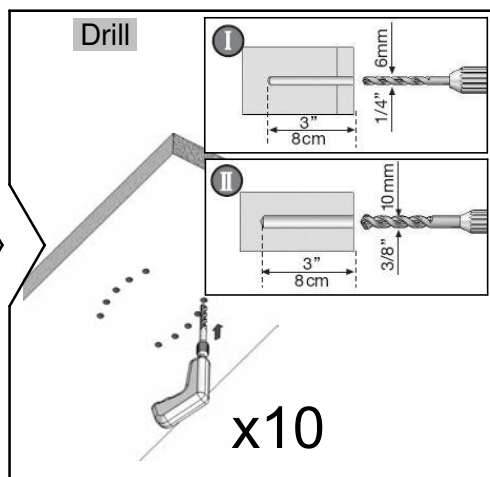
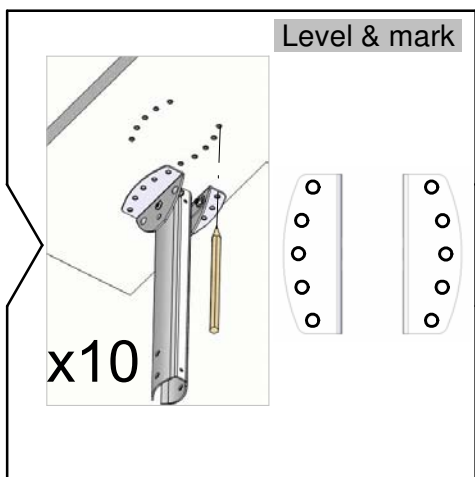
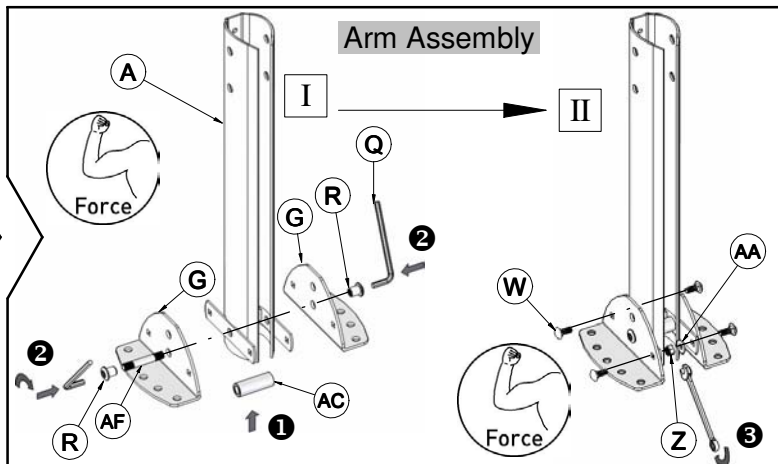
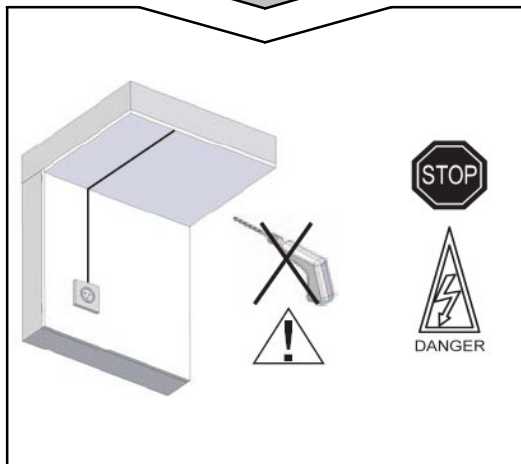
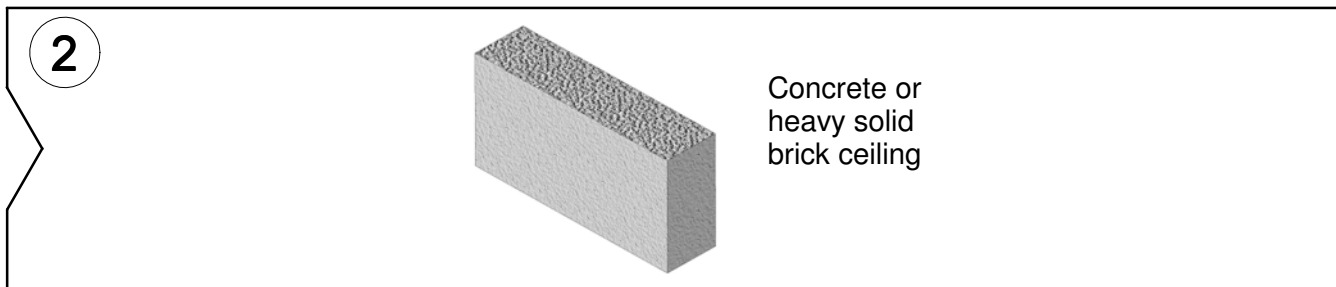
up

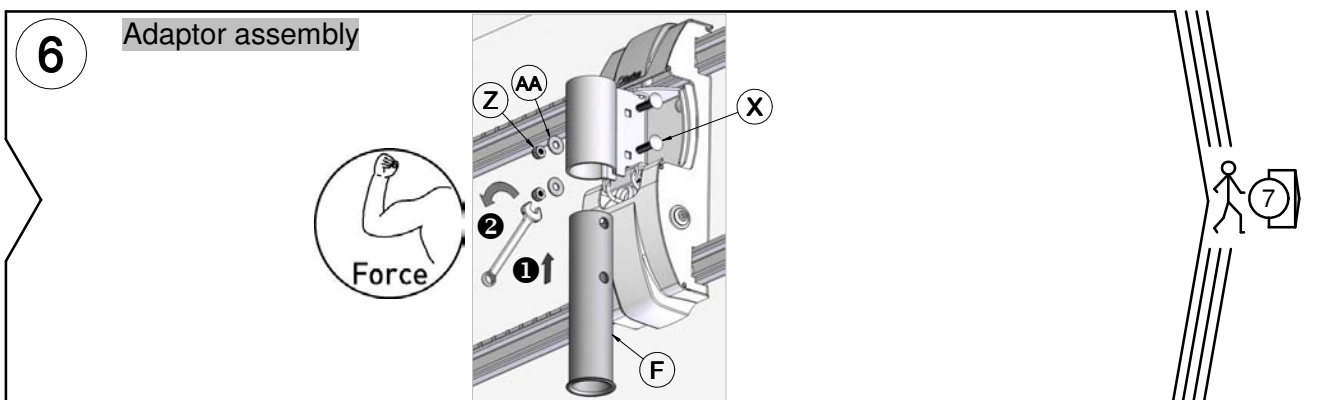
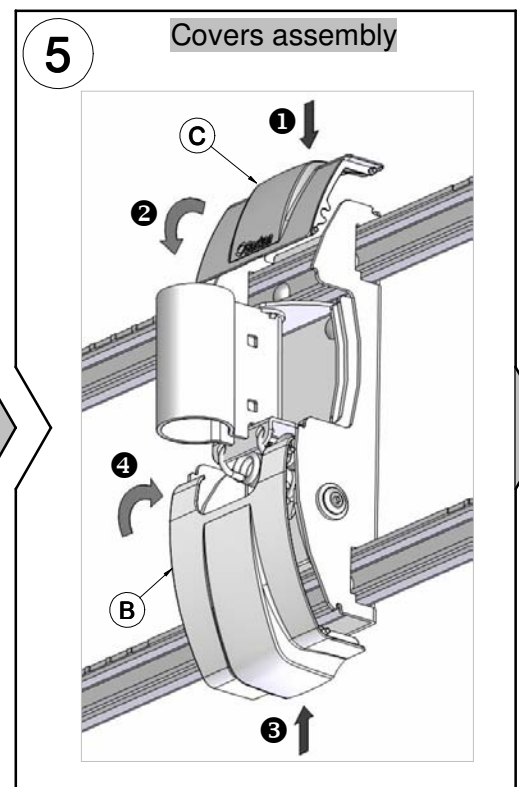
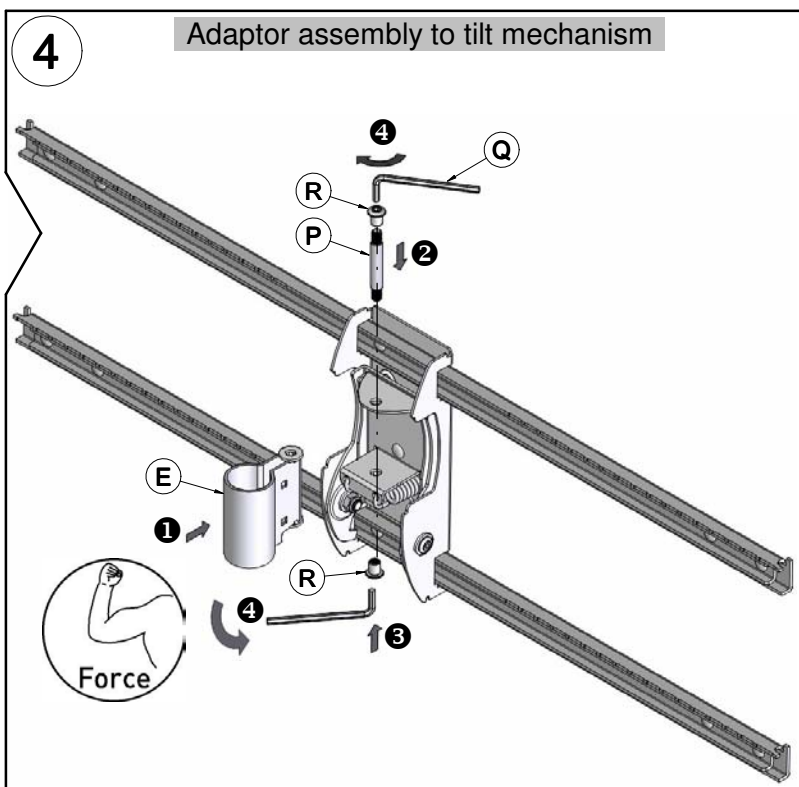
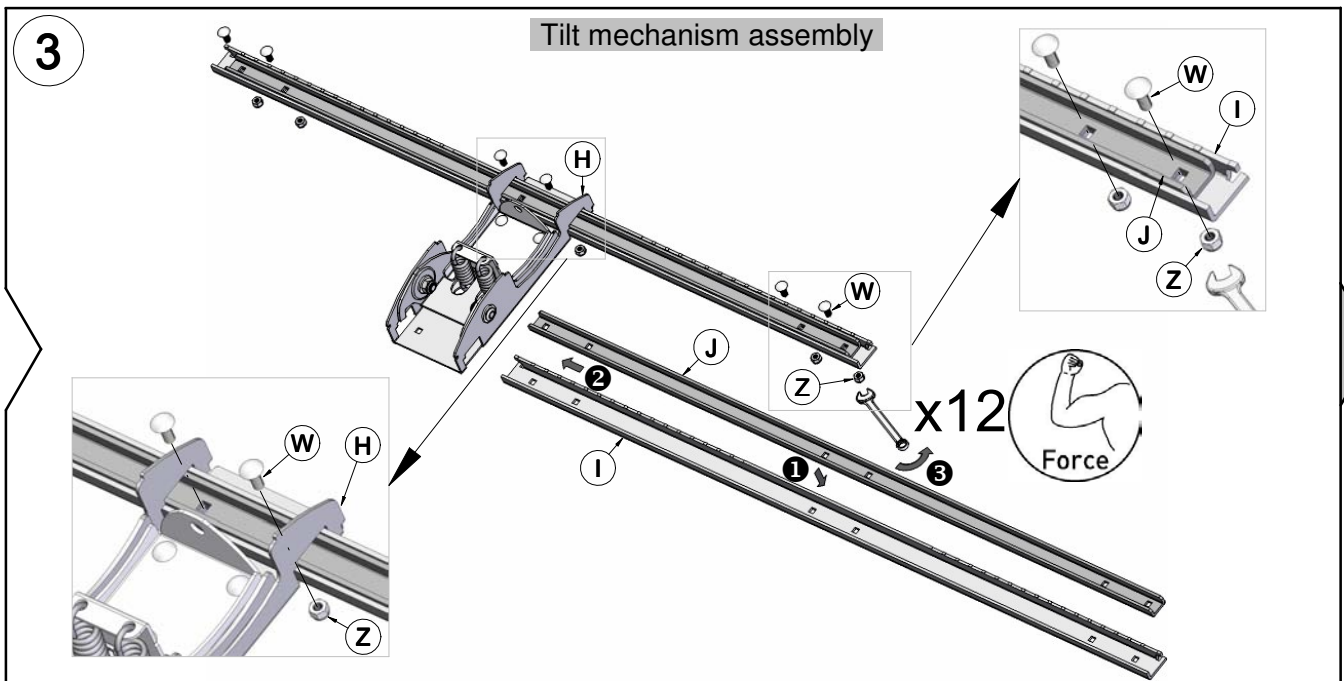
x4

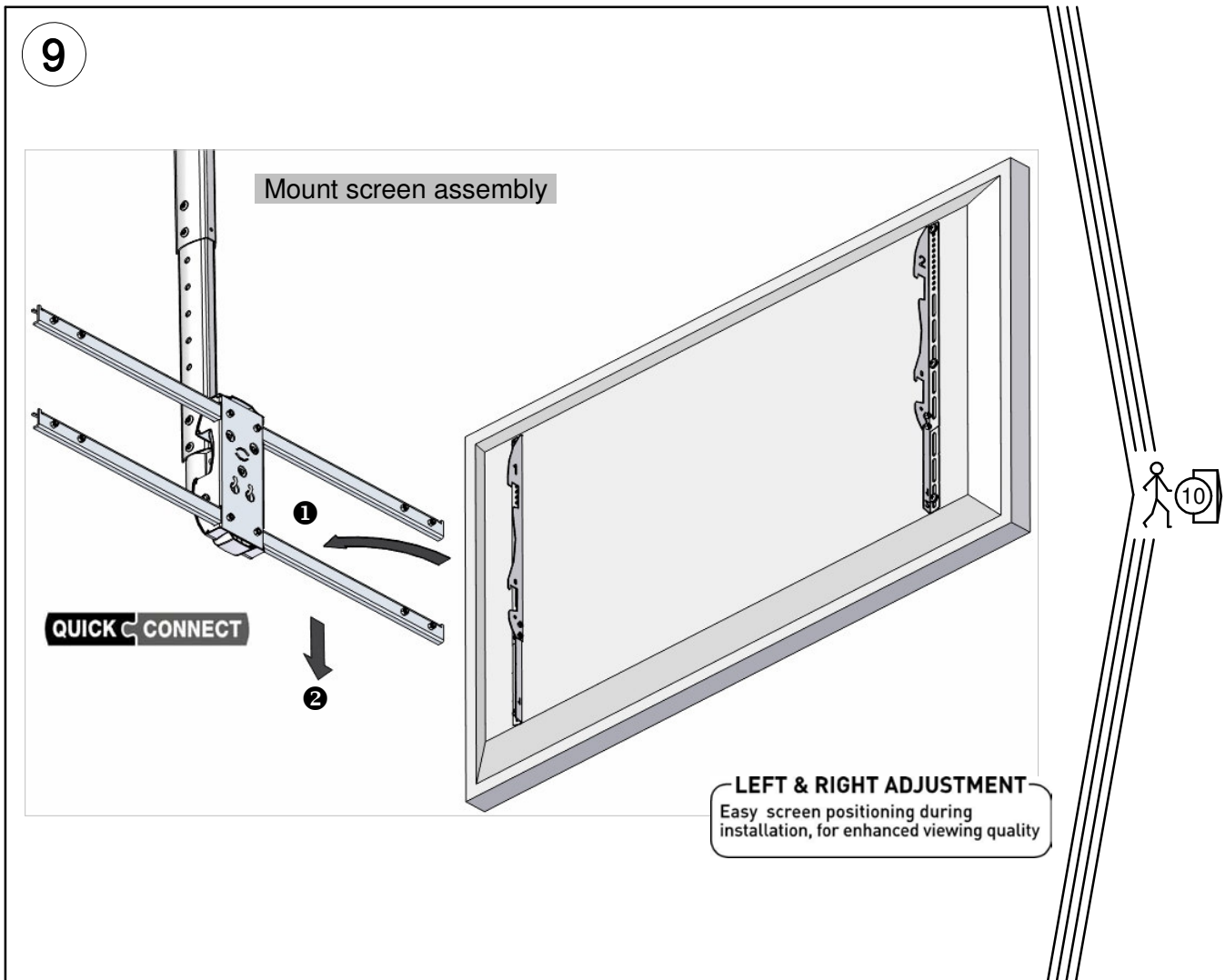
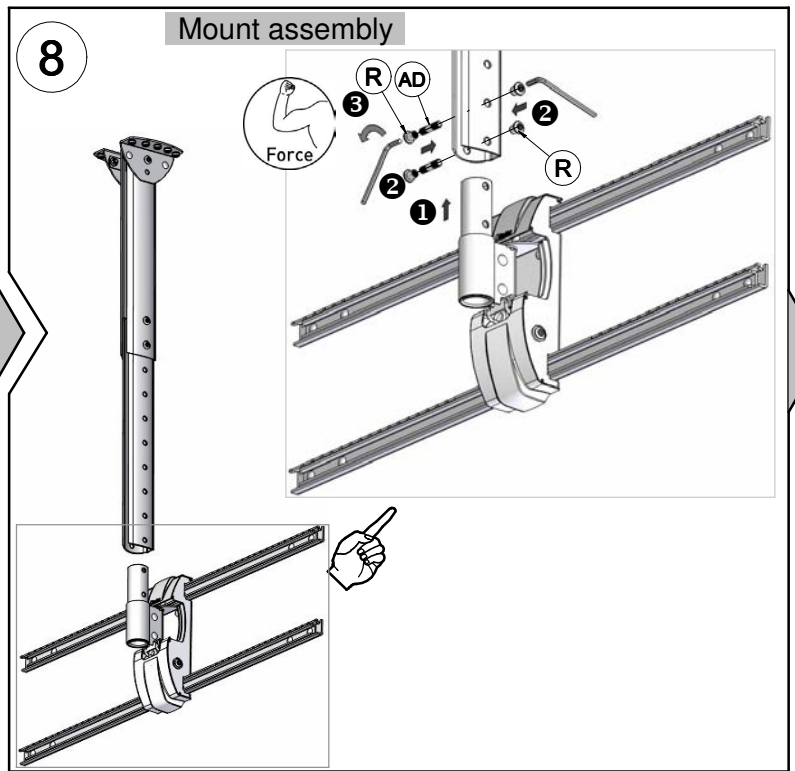
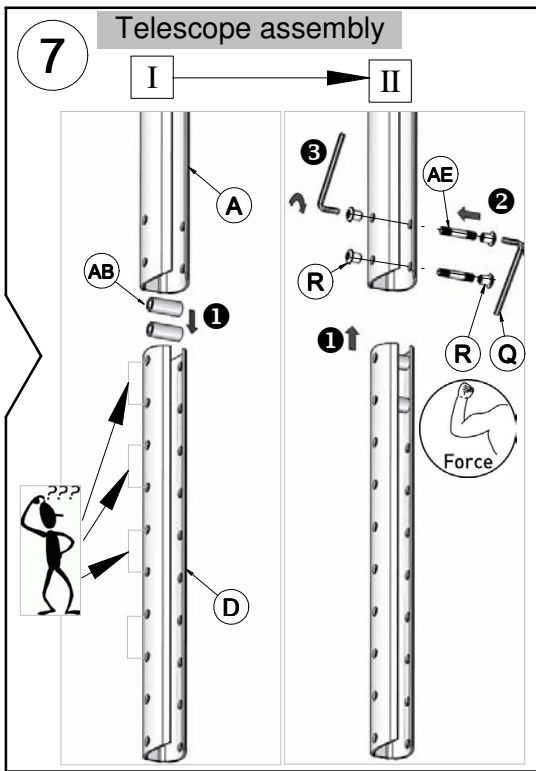
Assemble bracket in center

up

CENTER







10 Safety lock hardware assembly

FALL & THEFT PROOF
Secure locking system, preventing theft and accidents

Padlock not included

???

O

x2

I

II

Y

V

I

II

11

TOUCH & TILT
Tools free tilt

SCREEN LEVELING
A built-in mechanism to adjust the screen

Screen leveling
±2.5°

Touch&tilt
0°-20°

360°

DISCONNECT

I

II

Dear customer, we welcome your comments and suggestions to improve our products, ease of assembly and instructions. Please contact us through our website: www.barkanmounts.com