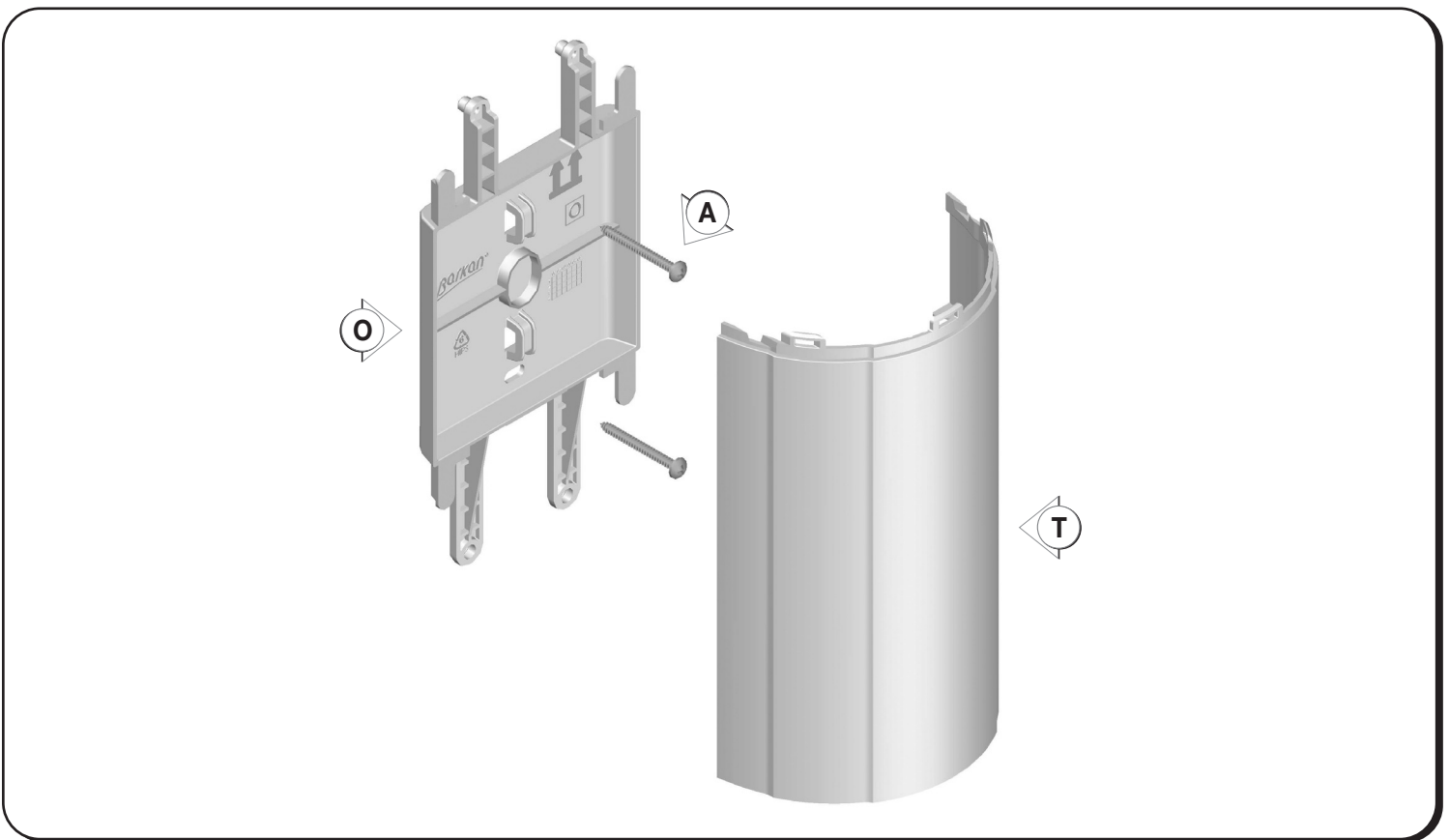
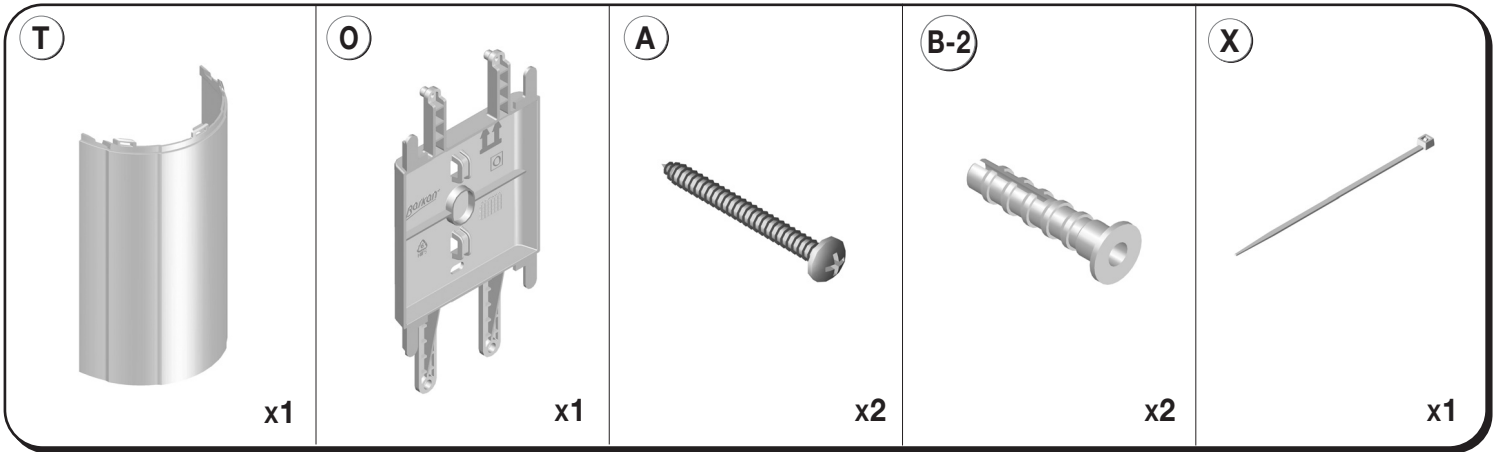



# Cable Cover Extension

Safety & assembly instructions

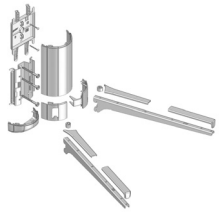






**MODEL**  
**85**

Wall Mounted  
**Audio Video Shelf**  
assembly instructions



**Barkan**  
Mounting Systems